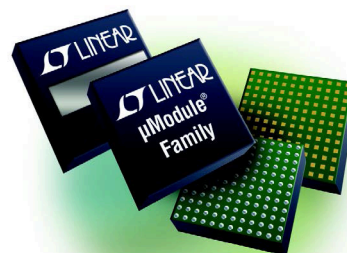


Constant-Voltage, Constant-Current DC/DC μ Module Products



Our constant-voltage, constant-current (CVCC) μ Module[®] regulators provide accurate input current limit in applications such as Peltier devices for cooling and heating, battery and supercapacitor chargers, LED and laser drivers, and motor and fan controllers. These products include a DC/DC controller, MOSFETs, inductor and supporting components in an LGA or BGA package. Only a few resistors, the bulk input and output capacitors are required to complete the design.



	LTM8026	LTM8052	LTM8064	LTM8054	LTM8055	LTM8056
Architecture	Step-Down			Buck-Boost		
Output Current Limit	Yes					
Input Current Limit	No			Yes		
Input Voltage Range	6V to 36V		6V to 58V	5V to 36V		5V to 58V
Output Voltage Range	1.2V to 24V		1.2V to 36V	1.2V to 36V		1.2V to 48V
Output Continuous Current	5A	5A (Sink) 5A (Source)	6A (Sink) 6A (Source)	5.4A	8.5A	5.5A
Package Size (mm)	11.25 x 15 x 2.82 (LGA) 11.25 x 15 x 3.42 (BGA)		16 x 11.9 x 4.92 BGA	15 x 11.25 x 3.42 BGA	15 x 15 x 4.92 BGA	
Compatibility	Pin Compatible			Pin Compatible		



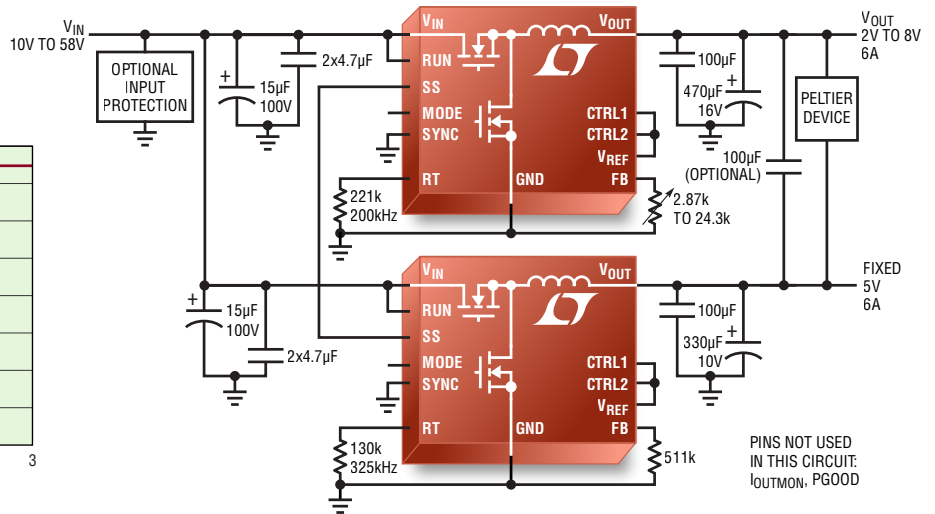
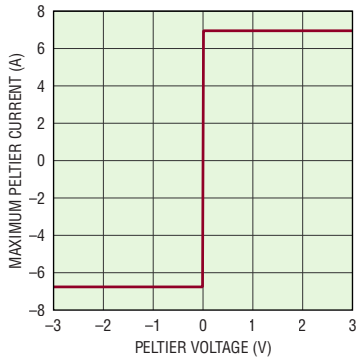
LT, LIT, LTM, Linear Technology, μ Module and the Linear logo are registered trademarks of Linear Technology Corporation. All other trademarks are the property of their respective owners.

Constant-Voltage, Constant-Current DC/DC μ Module Products

Peltier Driver

LTM8064

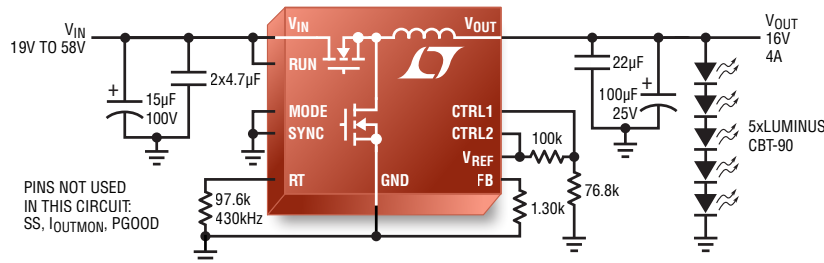
Two LTM8064s Used to Regulate Positive or Negative Voltage (and Current) Across a Peltier Device



LED Driver

LTM8064

Step-Down 4A Drive with Five White Series LEDs



Battery Charger

LTM8056

14.4V, 3A Lead-Acid Battery Charger Input Current Limited to 2A

