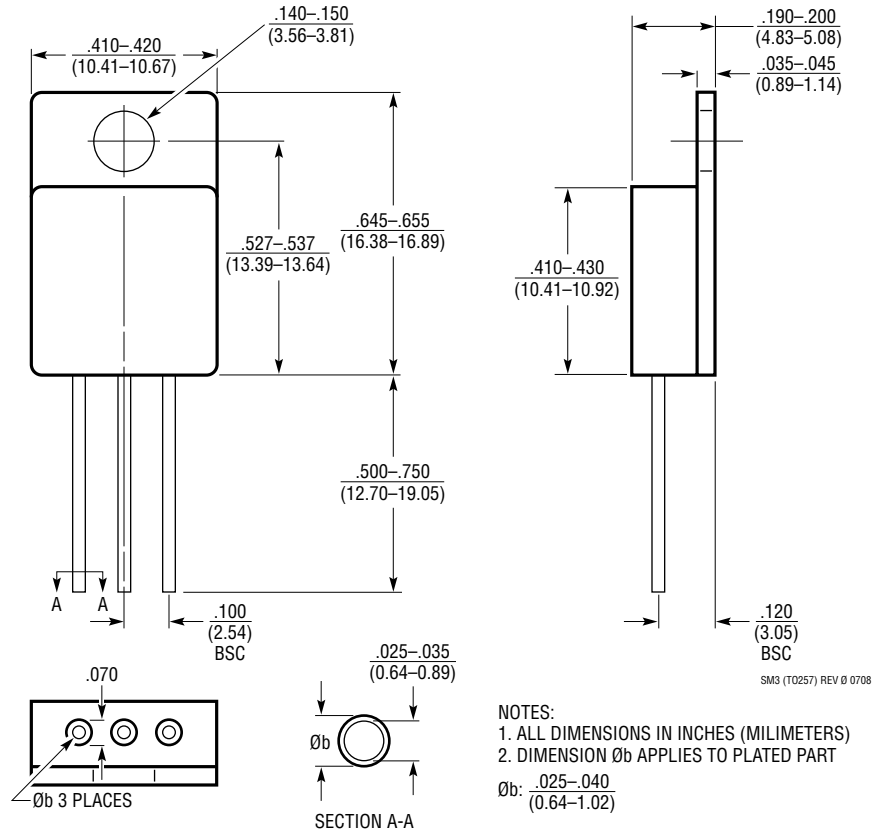


**SM Package**  
**3-Lead T0257**  
 (Reference LTC DWG # 05-08-1360 Rev 0)



- NOTES:
1. ALL DIMENSIONS IN INCHES (MILLIMETERS)
  2. DIMENSION Øb APPLIES TO PLATED PART