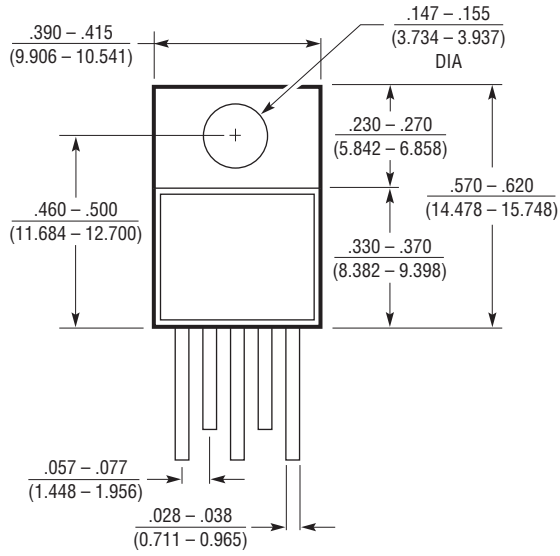


TO-220 5-Lead Package Outline (Flow 38)
 (Reference LTC DWG # 05-08-1498)



*MEASURED AT SEATING PLANE

