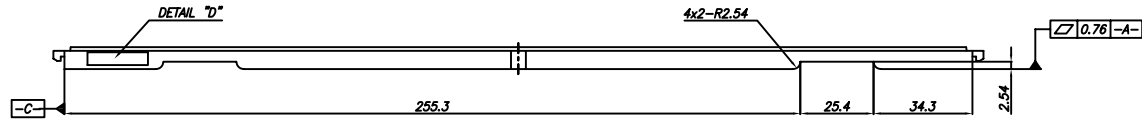
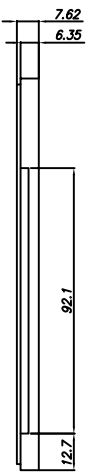
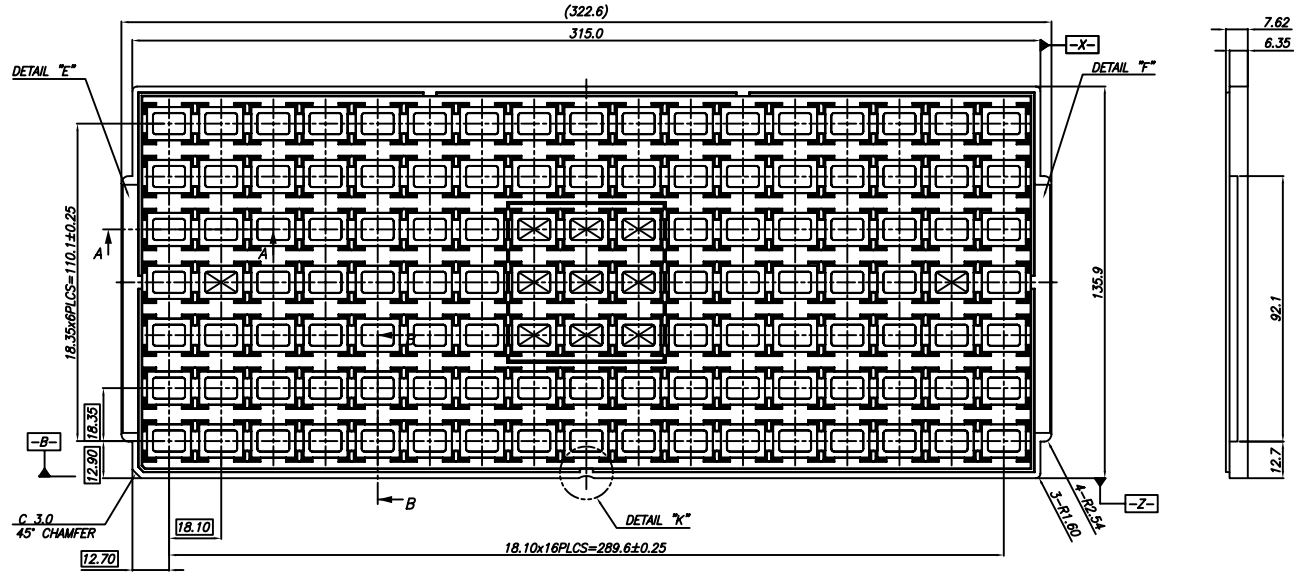
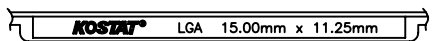


REV	DESCRIPTION	DATE	APPROVED
00	INITIAL COMPOSITE DRAWING	8/7/07	MD



LGA 15.00mm x 11.25mm  
KS - 870235 REV.00



DETAIL "D"  
(SCALE:2/1)

DETAIL "E"  
(SCALE:2/1)



DATE DETAIL  
(SCALE:2/1)



DETAIL "F"

**LINEAR**  
TECHNOLOGY  
1630 McCarthy Blvd.  
Milpitas, CA. 95035  
Phone: 408-432-1900  
LTC Confidential

PIECE PART DRAWING  
SIP 15MMX11.25MM  
BLACK TRAY

DRAWING NO.  
50-8044 REV0

APPROVALS  
DRAWN: M.DHIENDI / D.PRUITT  
CHECKED: R.RANGANATHAN

DATE:  
TOLERANCES UNLESS OTHERWISE SPECIFIED:  
FRACTIONS N/A  
DECIMALS  
XXX.X ± 0.05  
XXX.XX ± 0.03  
ANGLES ± 1  
SCALE N/A  
SIZE N/A  
SHEET 1 OF 4

REV	DESCRIPTION	DATE	APPROVED
00	INITIAL COMPOSITE DRAWING	8/7/07	MD

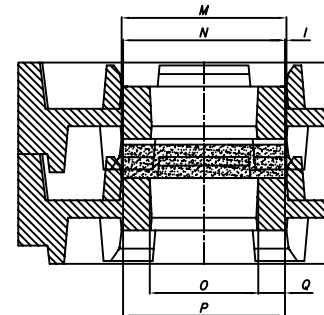
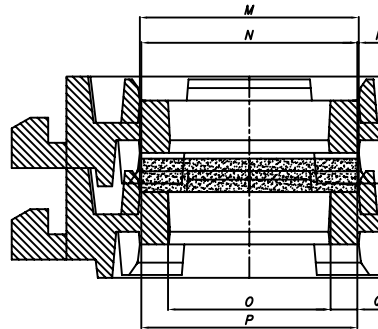
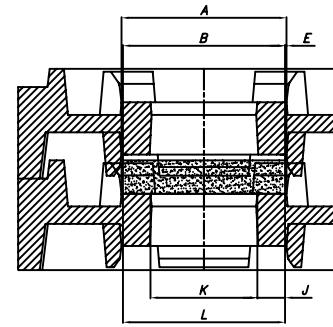
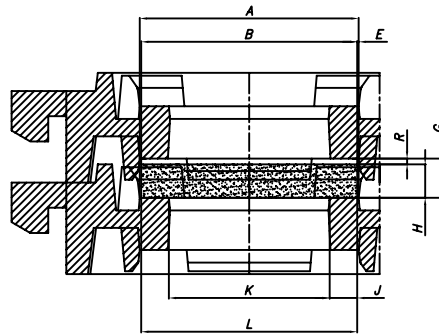
SIMULATION CRITERIA						
1.	$A > B$	PACKAGE NESTING				
2.	$E > 0$	PACKAGE LATERAL PLAY				
3.	$G > H$	PACKAGE VERTICAL PLAY				
4.	$I > 0$	PACKAGE LATERAL PLAY AT FLIPPED				
5.	$K < L$	PACKAGE SEATING				
6.	$J > E$	PACKAGE SEATING PLAY				
7.	$M > N$	PACKAGE NESTING AT FLIPPED				
8.	$O < P$	PACKAGE SEATING AT FLIPPED				
9.	$Q > I$	PACKAGE SEATING PLAY AT FLIPPED				

No.	Section "AA"		Nominal	Max. TRAY	Min. TRAY	Results
	Condition			Min. PKG	Max. PKG	
1	Tray	A	15.200	15.280	15.120	Pass
	Pkg.	B	15.000	14.900	15.100	
2	Gap.	$E(A-B/2)$	0.100	0.190	0.010	Pass
3	Tray	G	2.720	2.850	2.590	Pass
	Pkg.	H	2.320	2.220	2.420	
4	Gap.	$R(G-H)$	0.400	0.630	0.170	Pass
5	Gap.	$I(M-N)/2$	0.100	0.190	0.010	Pass
6	Tray	K	11.170	11.300	11.040	Pass
	Pkg.	L	15.000	14.900	15.100	
7	Gap.	$J(L-K/2)$	1.915	1.800	2.030	Pass
8	Tray	M	15.200	15.280	15.120	Pass
	Pkg.	N	15.000	14.900	15.100	
9	Tray	O	11.290	11.420	11.160	Pass
10	Pkg.	P	15.000	14.900	15.100	Pass
	Gap.	$Q(P-O/2)$	1.855	1.740	1.970	

No.	Section "BB"		Nominal	Max. TRAY	Min. TRAY	Results
	Condition			Min. PKG	Max. PKG	
1	Tray	A	11.450	11.530	11.370	Pass
	Pkg.	B	11.250	11.150	11.350	
2	Gap.	$E(A-B/2)$	0.100	0.190	0.010	Pass
3	Tray	G	2.720	2.850	2.590	Pass
	Pkg.	H	2.320	2.220	2.420	
4	Gap.	$R(G-H)$	0.400	0.630	0.170	Pass
5	Gap.	$I(M-N)/2$	0.100	0.190	0.010	Pass
6	Tray	K	7.420	7.550	7.290	Pass
	Pkg.	L	11.250	11.150	11.350	
7	Gap.	$J(L-K/2)$	1.915	1.800	2.030	Pass
8	Tray	M	11.450	11.530	11.370	Pass
	Pkg.	N	11.250	11.150	11.350	
9	Tray	O	7.540	7.670	7.410	Pass
10	Pkg.	P	11.250	11.150	11.350	Pass
	Gap.	$Q(P-O/2)$	1.855	1.740	1.970	



1630 McCarthy Blvd.  
 Milpitas, CA. 95035  
 Phone: 408-432-1900  
 LTC Confidential

PIECE PART DRAWING  
 SIP 15MMX11.25MM  
 BLACK TRAY

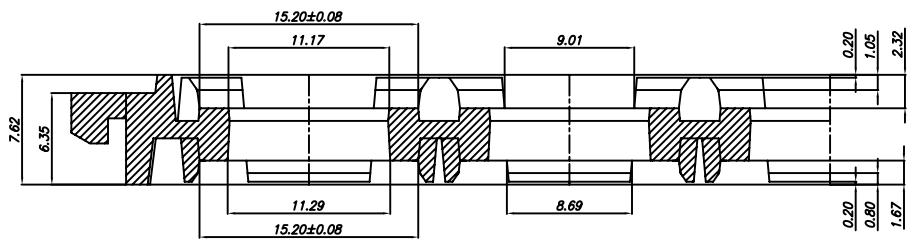
DRAWING NO.

50-8044 REV0

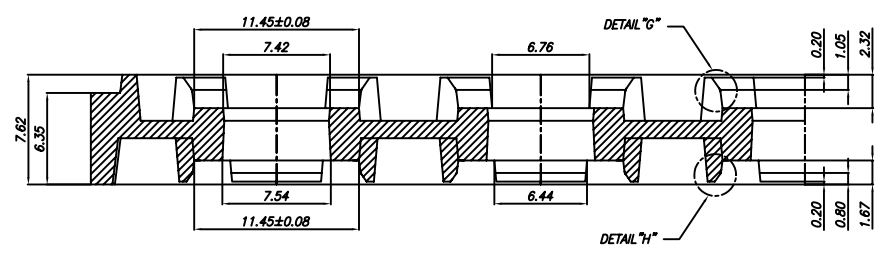
APPROVALS: DRAWN: MDTHIENO / D.PRUITT  
 CHECKED: R.RANGANATHAN

DATE: TOLERANCES UNLESS OTHERWISE SPECIFIED:  
 FRACTIONS N/A DECIMALS 0.001 ± 0.002 ANGLES ± 1  
 SCALE N/A SIZE N/A SHEET 2 OF 4

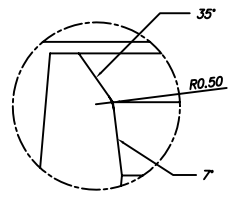
REV	DESCRIPTION	DATE	APPROVED
00	INITIAL COMPOSITE DRAWING	8/7/07	MD



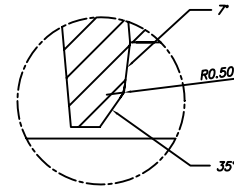
**SECTION "A-A"**  
(SCALE:5/1)



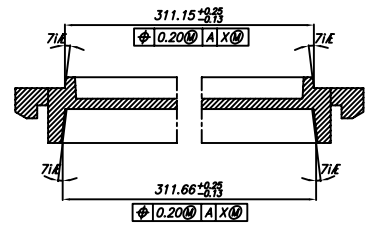
**SECTION "B-B"**  
(SCALE:5/1)



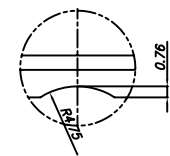
**DETAIL "G"**  
(SCALE:20/1)



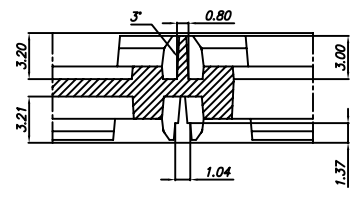
**DETAIL "H"**  
(SCALE:20/1)



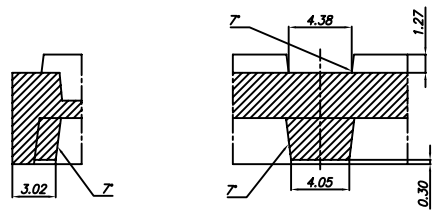
**TRAY STACKING DETAIL**  
(SCALE:3/1)



**DETAIL "K"**  
(SCALE:5/1)



**VACUUM CELL**  
(SCALE:5/1)



**SLIP LOCK DETAIL**  
(SCALE:5/1)

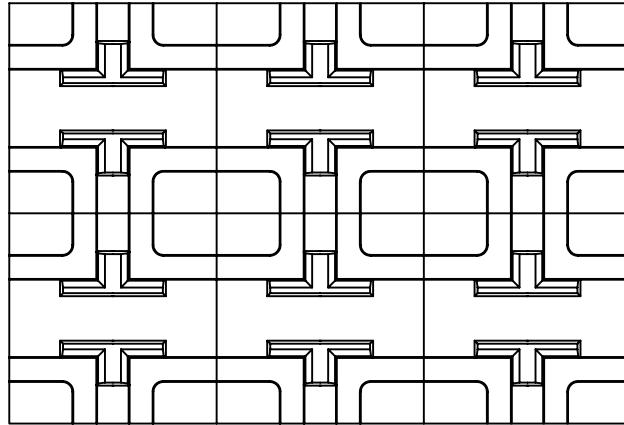
**LINEAR TECHNOLOGY**  
1630 McCarthy Blvd.  
Milpitas, CA 95035  
Phone: 408-432-1900  
LTC Confidential

PIECE PART DRAWING  
SIP 15MMX11.25MM  
BLACK TRAY

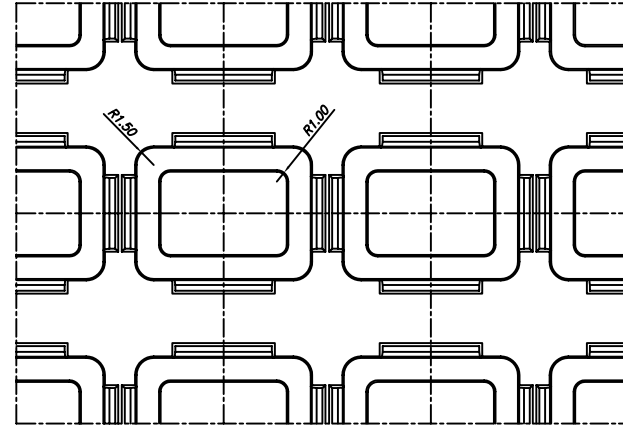
DRAWING NO.  
50-8044 REV0

APPROVALS	DATE:	TOLERANCES UNLESS OTHERWISE SPECIFIED:		
DRAWN: MOTHIEND / D.PRUITT		FRACTIONS	DECIMALS XXX ± .005 XXXX ± .013	ANGLES ± 1
CHECKED: R.RANGANATHAN		SCALE N/A	SIZE N/A	SHEET 3 OF 4

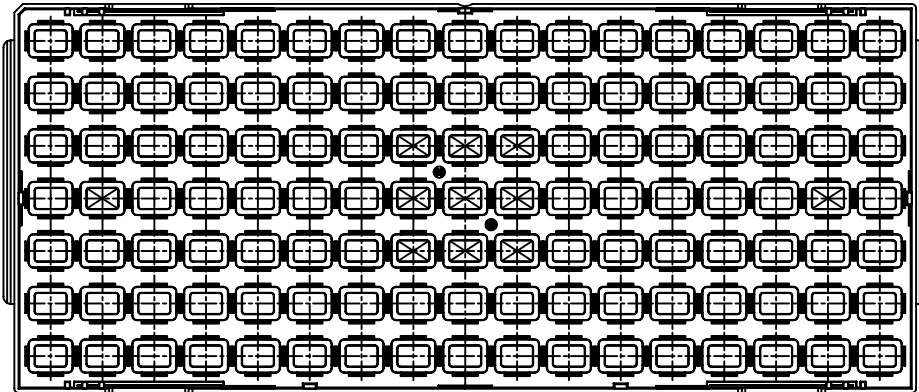
REV	DESCRIPTION	DATE	APPROVED
00	INITIAL COMPOSITE DRAWING	8/7/07	MD



TOP VIEW  
(SCALE:4/1)



BOTTOM VIEW  
(SCALE:4/1)



BOTTOM VIEW  
(SCALE:1/1)

**LINEAR TECHNOLOGY**  
 1630 McCarthy Blvd.  
 Milpitas, CA 95035  
 Phone: 408-432-1900  
 LTC Confidential

PIECE PART DRAWING  
 SIP 15MMX11.25MM  
 BLACK TRAY

DRAWING NO.  
 50-8044 REV0

APPROVALS  
 DRAWN:  
 MUTHIEND / D.PRUITT  
 CHECKED:  
 R.RANGANATHAN

TOLERANCES UNLESS OTHERWISE SPECIFIED:  
 DECIMALS  
 X0.0X ± 0.03  
 X0.00X ± 0.013  
 ANGLES  
 ± 1  
 SCALE  
 N/A  
 SIZE  
 N/A  
 SHEET  
 4 OF 4