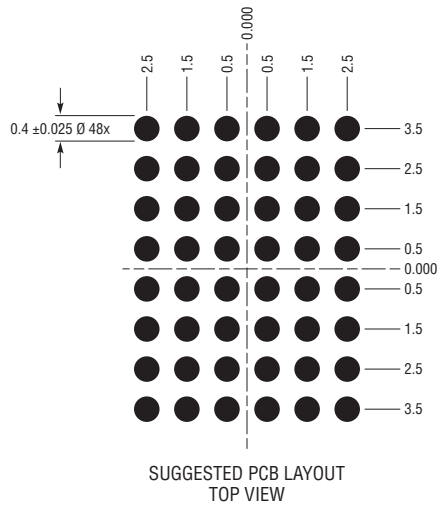
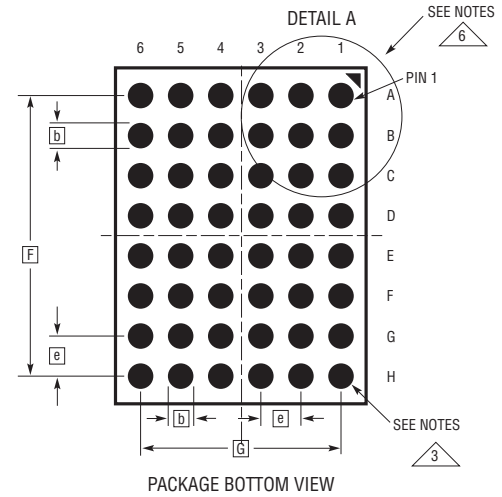
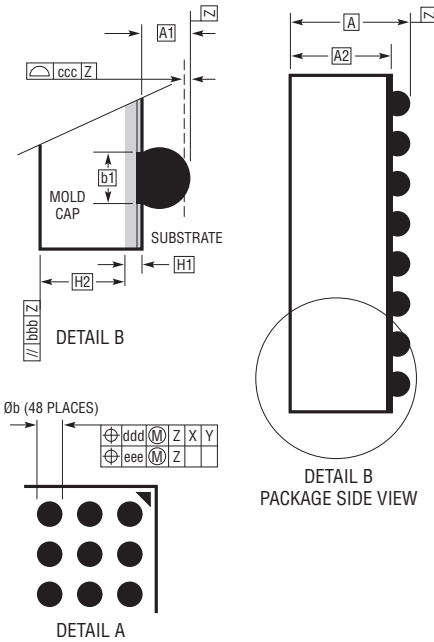
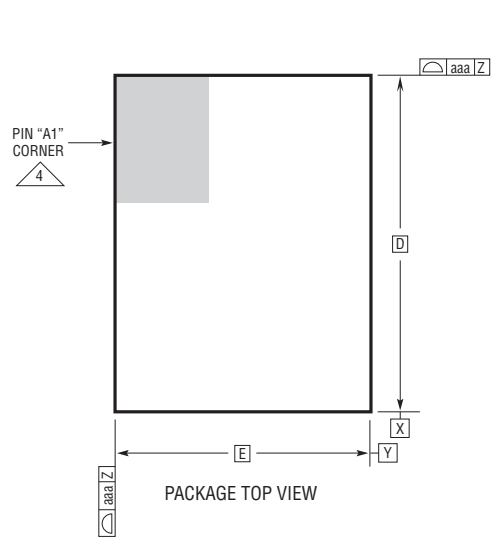


BGA Package
48-Lead (9mm × 6.25mm × 3.22mm)
 (Reference LTC DWG # 05-08-1977 Rev A)



| DIMENSIONS | | | | |
|------------|------|------|------|----------------|
| SYMBOL | MIN | NOM | MAX | NOTES |
| A | 3.02 | 3.22 | 3.42 | |
| A1 | 0.30 | 0.40 | 0.50 | BALL HT |
| A2 | 2.72 | 2.82 | 2.92 | |
| b | 0.50 | 0.60 | 0.70 | BALL DIMENSION |
| b1 | 0.47 | 0.50 | 0.53 | PAD DIMENSION |
| D | | 9.00 | | |
| E | | 6.25 | | |
| e | | 1.00 | | |
| F | | 7.00 | | |
| G | | 5.00 | | |
| H1 | 0.27 | 0.32 | 0.37 | SUBSTRATE THK |
| H2 | 2.45 | 2.50 | 2.55 | MOLD CAP HT |
| aaa | | | 0.15 | |
| bbb | | | 0.10 | |
| ccc | | | 0.20 | |
| ddd | | | 0.30 | |
| eee | | | 0.15 | |

TOTAL NUMBER OF BALLS: 48

- NOTES:
1. DIMENSIONING AND TOLERANCING PER ASME Y14.5M-1994
 2. ALL DIMENSIONS ARE IN MILLIMETERS
 3. BALL DESIGNATION PER JESD MS-028 AND JEP95
 4. DETAILS OF PIN #1 IDENTIFIER ARE OPTIONAL, BUT MUST BE LOCATED WITHIN THE ZONE INDICATED. THE PIN #1 IDENTIFIER MAY BE EITHER A MOLD OR MARKED FEATURE
 5. PRIMARY DATUM -Z- IS SEATING PLANE
 6. PACKAGE ROW AND COLUMN LABELING MAY VARY AMONG µModule PRODUCTS. REVIEW EACH PACKAGE LAYOUT CAREFULLY

