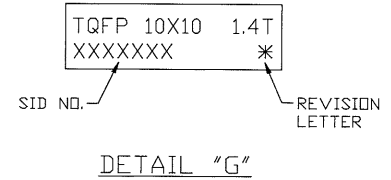
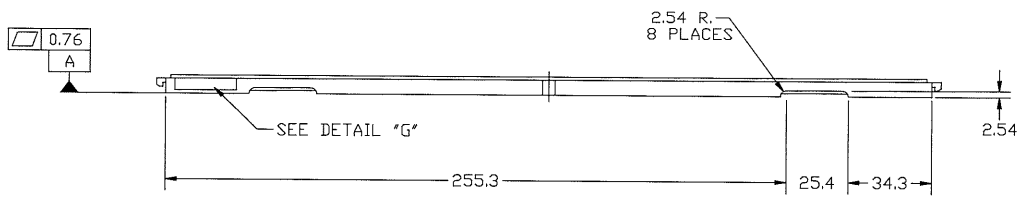
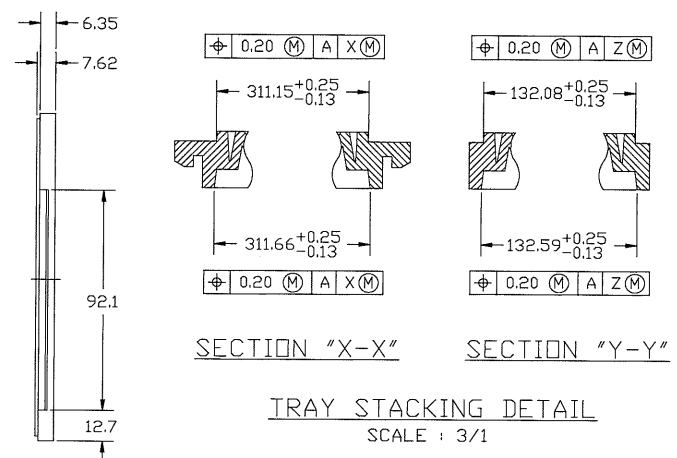
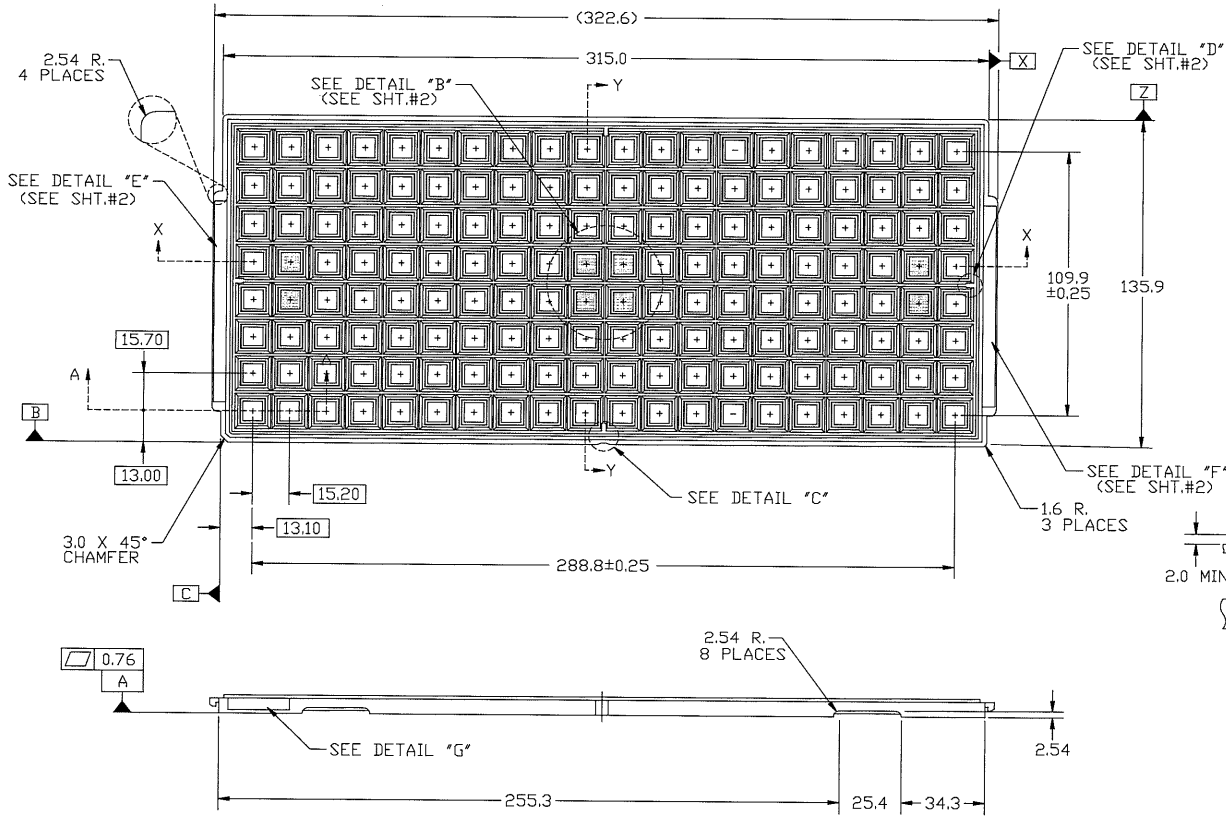


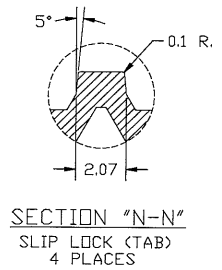
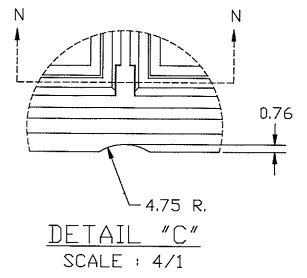
REVISIONS			
LTR	DESCRIPTION	DATE	APPROVAL
0	INITIAL RELEASE.	05.21.14	<i>S.W.</i> 5.21.14



NOTCH FENCE
SCALE : 2/1

DETAIL "G"

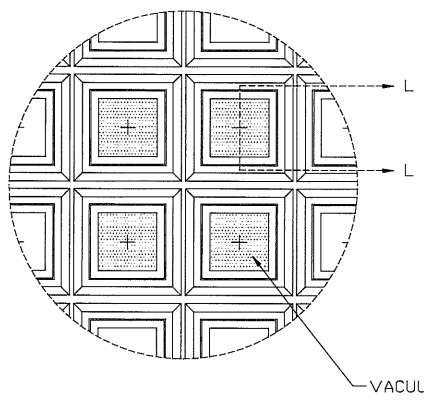
2. CELL COUNT IS 8 X 20 = 160
 <NOTE> 1. CONFORM TO EIA-541



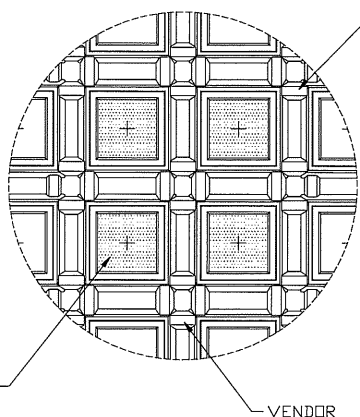
BAKEABLE	PES	BLACK	150°C BAKE / 180°C MAX	123-1010-211	
DESCRIPTION	MATERIAL	COLOR	TEMP °C	1224328	
 1630 McCarthy Boulevard Milpitas, CA 95035-7487 (408) 432-1900				PART NCL	
				SID NO.	
PIECE PART DRAWING LQFP 10.0 X 10.0 X 1.4 MM BLACK TRAY 180°C			DRAWING NO.	REV	
APPROVALS DRAWN <i>[Signature]</i> A. DELA CRUZ		DATE	05/01/14	50-8098	0
CHECKED <i>[Signature]</i> S. WU		DATE	5.21.14	TOLERANCE UNLESS OTHERWISE SPECIFIED DIMENSION 0.000 ± 0.050 ANGLE 0° ± 0.5°	
SCALE			UNIT	SHEET	
NOT TO SCALE			mm	1 of 2	

LINEAR TECHNOLOGY CORP.
 COMPANY CONFIDENTIAL
 CONTROLLED DOCUMENT
 COPIES MAY BE REPRODUCED
 FOR PROCESSING

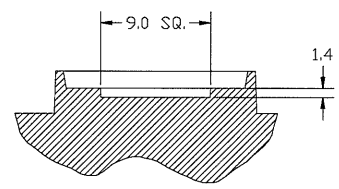
REVISIONS			
LTR	DESCRIPTION	DATE	APPROVAL
0	INITIAL RELEASE.	05.21.14	Sw 5.21.14



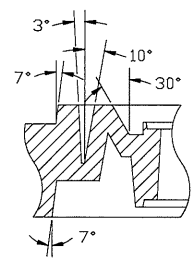
TOP VIEW
DETAIL "B"
SCALE : 3/1
(FROM SHT.#1)



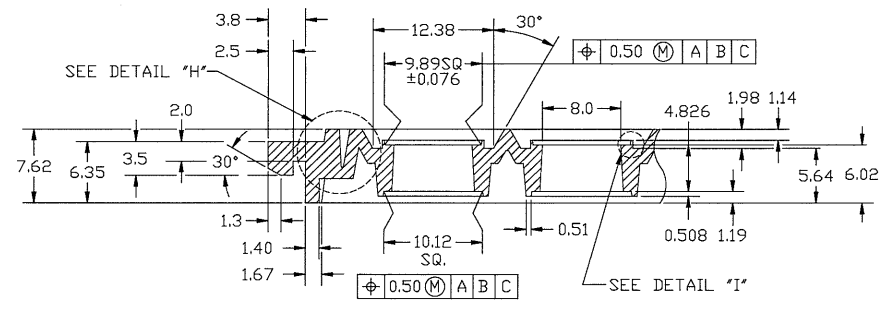
BOTTOM VIEW
DETAIL "B"
SCALE : 3/1
(FROM SHT.#1)



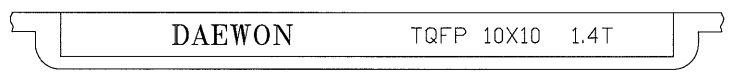
SECTION "L-L"
SCALE : NONE



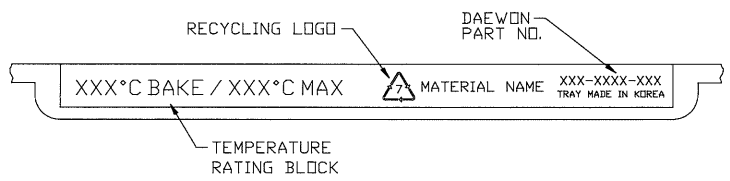
DETAIL "H"
SCALE : 6/1



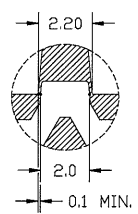
SECTION "A-A"
SCALE : 4/1
(FROM SHT.#1)



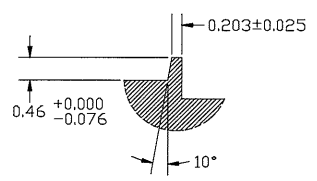
DETAIL "E"
(FROM SHT.#1)



DETAIL "F"
(FROM SHT.#1)



DETAIL "D"
SLIP LOCK SECTION
(FROM SHT.#1)
SCALE : 10/1



DETAIL "I"
SCALE : 20/1

 1630 McCarthy Boulevard Milpitas, CA 95035-7487 (408) 432-1900		PIECE PART DRAWING LQFP 10.0 X 10.0 X 1.4 MM BLACK TRAY 180°C	
APPROVALS DRAWN <i>[Signature]</i> A. DELA CRUZ CHECKED <i>[Signature]</i> S. WU	DATE 05/21/14 5.21.14	DRAWING NO. 50-8098	REV 0
TOLERANCE UNLESS OTHERWISE SPECIFIED DIMENSION 0.000 ± 0.050 ANGLE 0° ± 0.5°		SCALE NOT TO SCALE	UNIT mm SHEET 2 of 2

LINEAR TECHNOLOGY CORP.
 COMPANY CONFIDENTIAL
 CONTROLLED DOCUMENT
 COPIES MAY BE REPRODUCED
 FOR PROCESSING