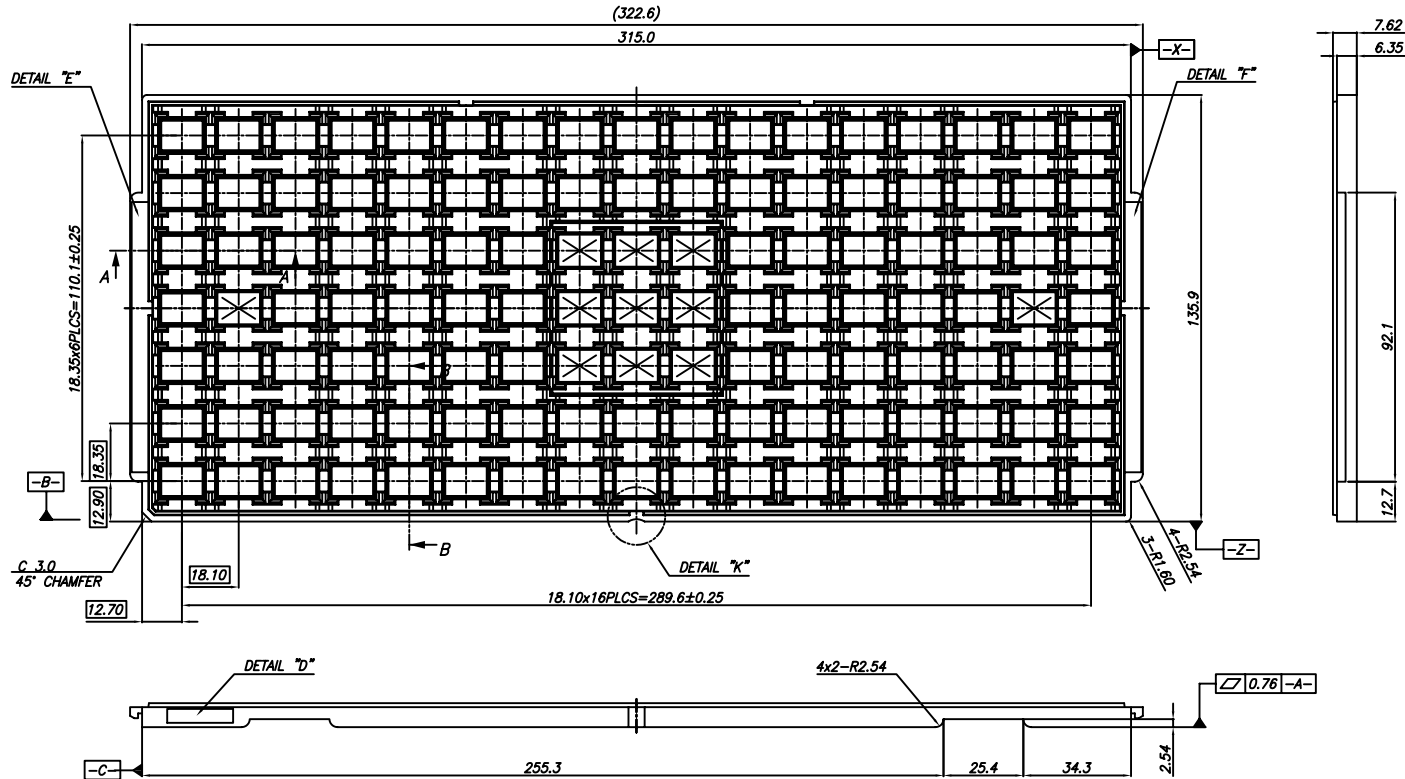
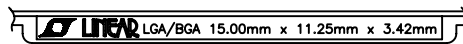


REV	DESCRIPTION	DATE	APPROVED
A	COMPOSITE DRAWING		MD



LGA/BGA 15.00x11.25x3.42mm
KS-870270 REV.02



DETAIL "D"
(SCALE:2/1)



DATE DETAIL
(SCALE:2/1)

DETAIL "E"
(SCALE:2/1)



DETAIL "F"

LINEAR
TECHNOLOGY
1630 McCarthy Blvd.
Milpitas, CA, 95035
Phone: 408-432-1900
LTC Confidential

PIECE PART DRAWING
SIP 15MMX11.25MM
BLACK TRAY

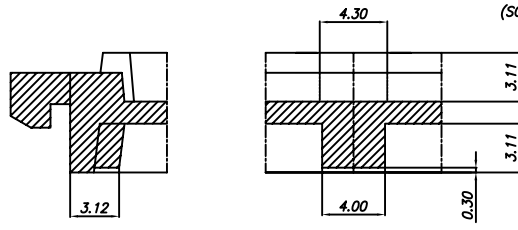
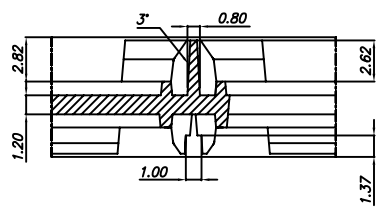
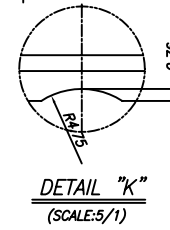
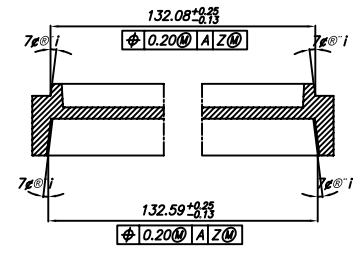
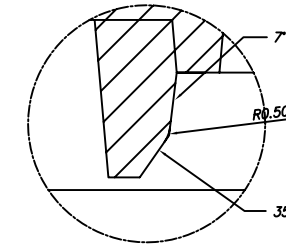
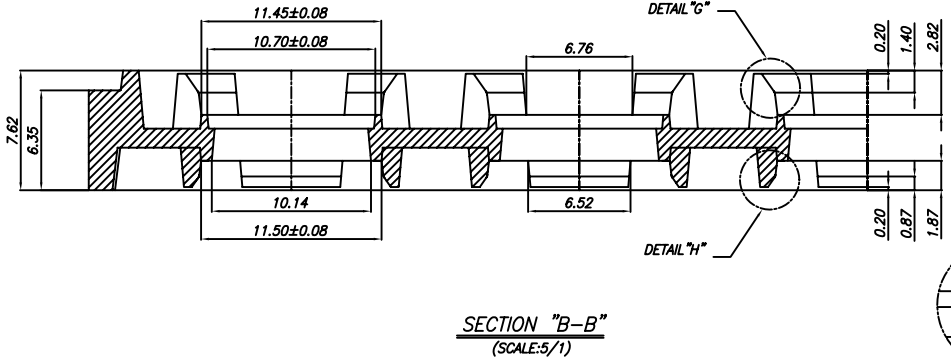
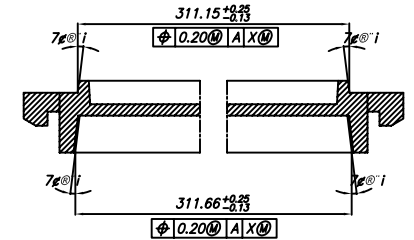
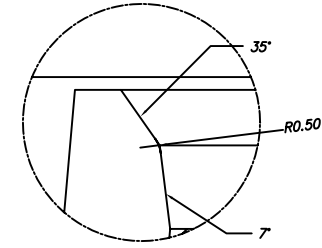
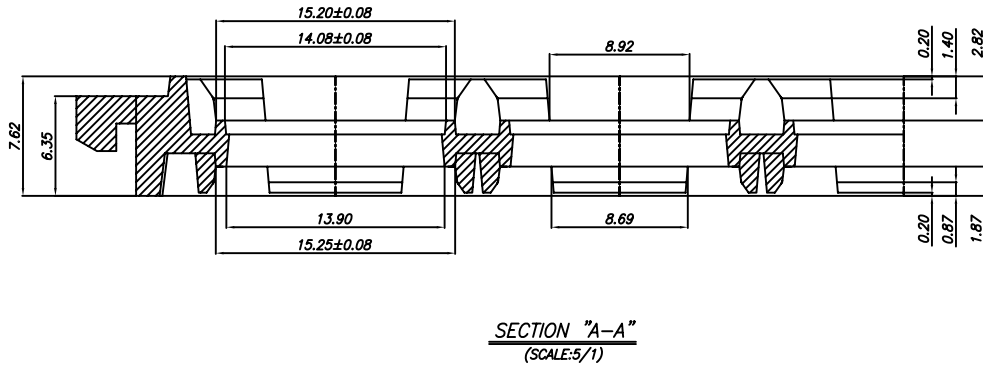
DRAWING NO.

50-8052

APPROVALS	DATE:
DRAWN: MOTHIEND	
CHECKED: R.RANGANATHAN	

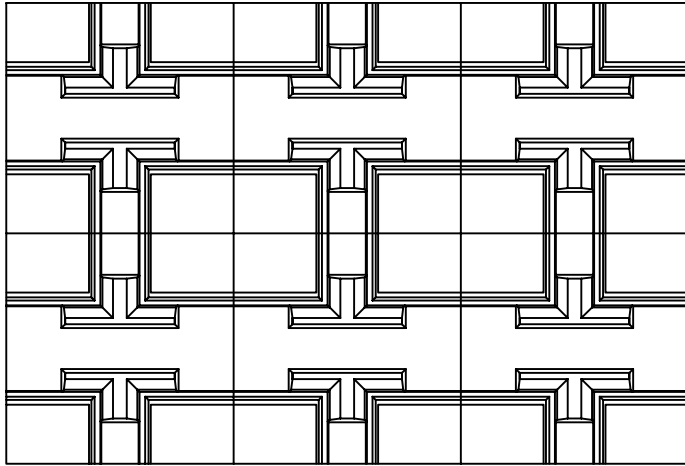
TOLERANCES UNLESS OTHERWISE SPECIFIED:		
FRACTIONS N/A	DECIMALS XXX ± 0.02 XXXX ± 0.03	ANGLES ± 1
SCALE N/A	SIZE N/A	SHEET 1 OF 5

REV	DESCRIPTION	DATE	APPROVED
A	COMPOSITE DRAWING		MD

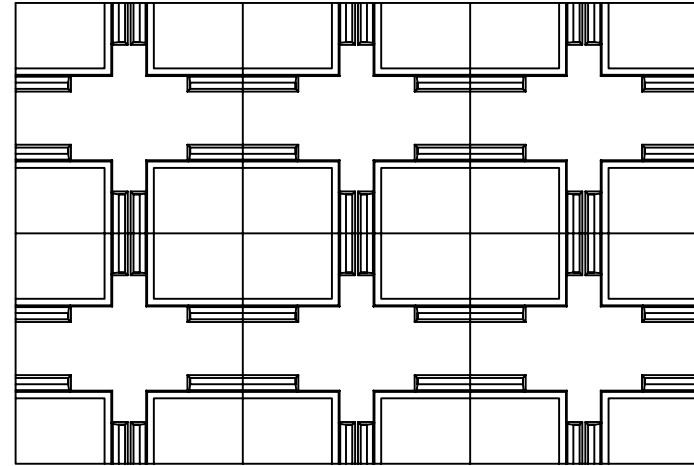


<p>1630 McCarthy Blvd. Milpitas, CA. 95035 Phone: 408-432-1900 LTC Confidential</p>	PIECE PART DRAWING SIP 15MMX11.25MM BLACK TRAY	
	DRAWING NO. 50-8052	
APPROVALS: _____ DATE: _____	TOLERANCES UNLESS OTHERWISE SPECIFIED: FRACTIONS N/A DECIMALS 1/100 ± 0.005 ANGLES ± 1 CHECKED: R.RANGANATHAN SCALE N/A SIZE N/A SHEET 2 OF 5	

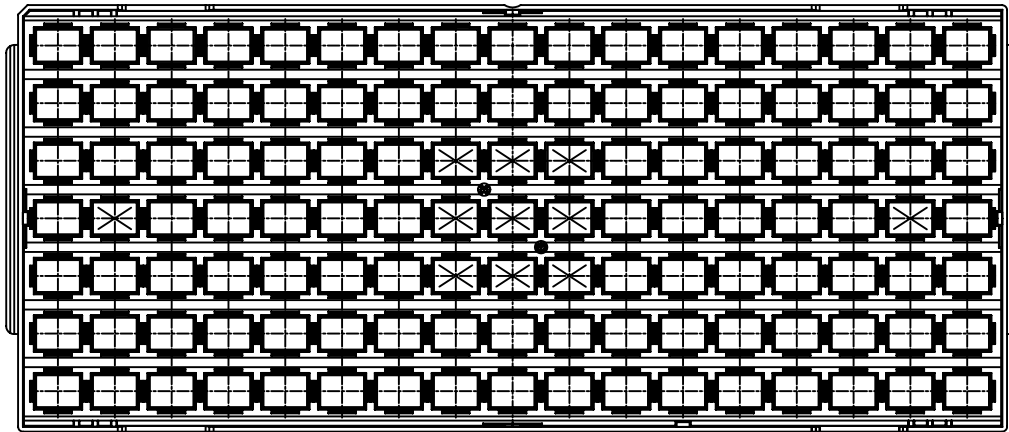
REV	DESCRIPTION	DATE	APPROVED
A	COMPOSITE DRAWING		MD



TOP VIEW
(SCALE:4/1)



BOTTOM VIEW
(SCALE:4/1)



BOTTOM VIEW
(SCALE:1/1)

LINEAR
TECHNOLOGY
1630 McCarthy Blvd.
Milpitas, CA. 95035
Phone: 408-432-1900
LTC Confidential

PIECE PART DRAWING
SIP 15MMX11.25MM
BLACK TRAY

DRAWING NO.
50-8052

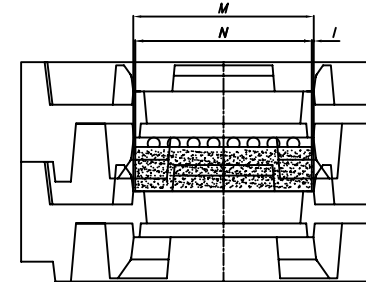
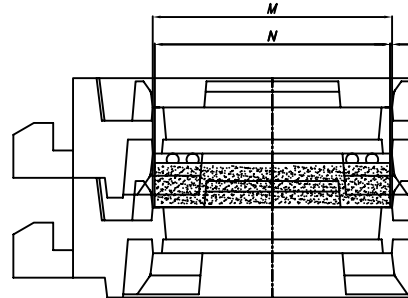
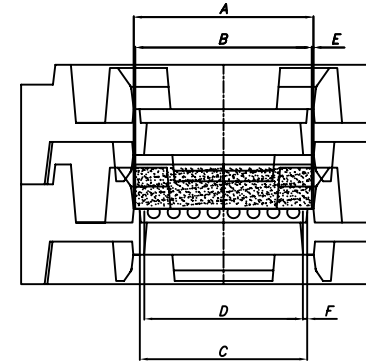
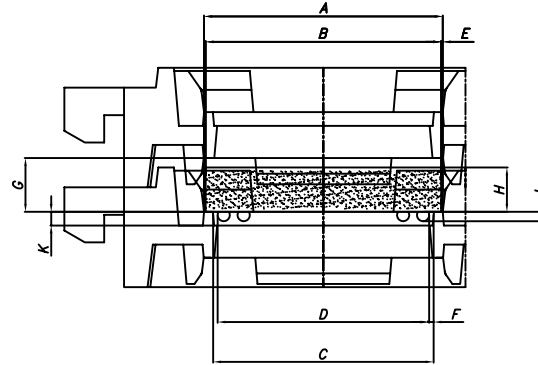
APPROVALS	DATE:	TOLERANCES UNLESS OTHERWISE SPECIFIED:		
DRAWN: M.MOHIEND		FRACTIONS N/A	DECIMALS XXX = ± 0.02 XXXX = ± 0.013	ANGLES ± 1
CHECKED: R.RANGANATHAN		SCALE N/A	SIZE N/A	SHEET 3 OF 5

REV	DESCRIPTION	DATE	APPROVED
A	COMPOSITE DRAWING		MD

SIMULATION CRITERIA					
1.	$A > B$	PACKAGE LATERAL PLAY			
2.	$C > D$	BALL LATERAL PLAY			
3.	$E < F$	BALL TOUCH THE SHELF			
4.	$G > H$	PACKAGE VERTICAL PLAY			
5.	$J > I$	OVERMOLD TOUCH THE SHELF			
6.	$K > L$	BALL TOUCH THE FLOOR			
7.	$M > N$	PACKAGE LATERAL PLAY (FLIPPED)			

SECTION "A-A"							
No.	Condition	Nominal	Max. TRAY Min. PKG	Wc 1	Min. TRAY Max. PKG	Wc 2	Results
1	Tray A	15.200	15.280	15.120			Pass
	Pkg. B	15.000	14.900	15.100			
2	Tray C	14.060	14.190	13.930			Pass
	Pkg. D	13.480	13.430	13.530			
3	Gap. $E(A-B/2)$	0.100	0.190	0.010			Pass
	Gap. $F(C-D/2)$	0.290	0.380	0.200			
4	Tray G	3.420	3.550	3.290			Pass
	Pkg. H	2.820	2.690	2.950			
5	Gap. $I(M-N/2)$	0.125	0.215	0.035			Pass
	Gap. $J(O-P/2)$	-	-	-			
6	Tray K	0.880	1.010	0.750			Pass
	Pkg. L	0.400	0.350	0.450			
7	Tray M	15.250	15.330	15.170			Pass
	Pkg. N	15.000	14.900	15.100			

SECTION "B-B"							
No.	Condition	Nominal	Max. TRAY Min. PKG	Wc 1	Min. TRAY Max. PKG	Wc 2	Results
1	Tray A	11.450	11.530	11.370			Pass
	Pkg. B	11.250	11.150	11.350			
2	Tray C	10.660	10.790	10.530			Pass
	Pkg. D	9.670	9.620	9.720			
3	Gap. $E(A-B/2)$	0.100	0.190	0.010			Pass
	Gap. $F(C-D/2)$	0.495	0.585	0.405			
4	Tray G	3.420	3.550	3.290			Pass
	Pkg. H	2.820	2.690	2.950			
5	Gap. $I(M-N/2)$	0.125	0.215	0.035			Pass
	Gap. $J(O-P/2)$	-	-	-			
6	Tray K	0.880	1.010	0.750			Pass
	Pkg. L	0.400	0.350	0.450			
7	Tray M	11.500	11.580	11.420			Pass
	Pkg. N	11.250	11.150	11.350			



LINEAR
TECHNOLOGY
1630 McCarthy Blvd.
Milpitas, CA. 95035
Phone: 408-432-1900
LTC Confidential

PIECE PART DRAWING
SIP 15MMX11.25MM
BLACK TRAY

DRAWING NO.

50-8052

APPROVALS DATE:

DRAWN:
M.OTHIEND

CHECKED:
R.RANGANATHAN

TOLERANCES UNLESS OTHERWISE SPECIFIED:

FRACTIONS
N/A

SCALE
N/A

DECIMALS
XXXX ± 0.03
XXXX ± 0.03

SIZE
N/A

ANGLES
± 1

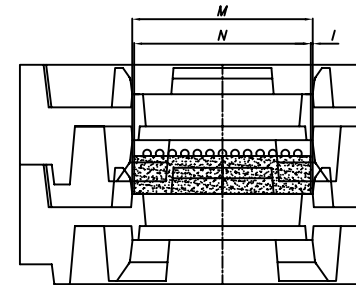
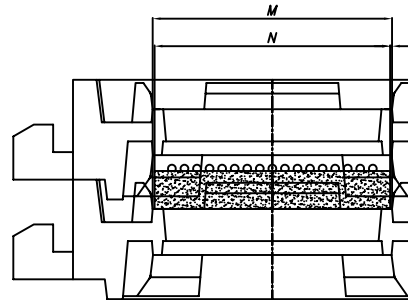
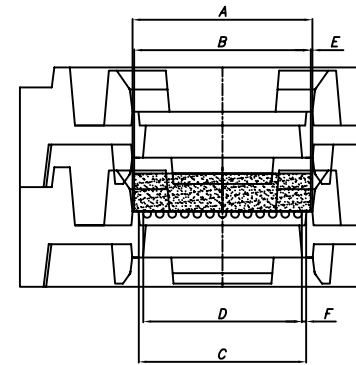
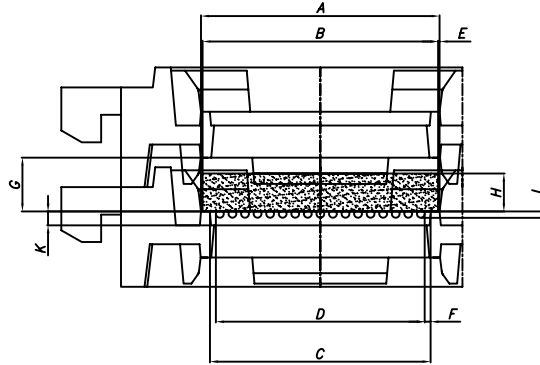
SHEET
4 OF 5

REV	DESCRIPTION	DATE	APPROVED
A	COMPOSITE DRAWING		MD

SIMULATION CRITERIA					
1.	$A > B$	PACKAGE LATERAL PLAY			
2.	$C > D$	BALL LATERAL PLAY			
3.	$E < F$	BALL TOUCH THE SHELVE			
4.	$G > H$	PACKAGE VERTICAL PLAY			
5.	$J > I$	OVERMOLD TOUCH THE SHELF			
6.	$K > L$	BALL TOUCH THE FLOOR			
7.	$M > N$	PACKAGE LATERAL PLAY (FLIPPED)			

SECTION "A-A"					
No.	Condition	Nominal	Max. TRAY		Results
			Min. PKG	Max. PKG	
1	Tray A	15.200	15.280	15.120	Pass
	Pkg. B	15.000	14.900	15.100	
	Tray C	14.050	14.130	13.970	
2	Pkg. D	13.300	13.250	13.350	Pass
	Gap. E(A-B/2)	0.100	0.190	0.010	
	Gap. F(C-D/2)	0.375	0.440	0.310	
4	Tray G	3.420	3.550	3.290	Pass
	Pkg. H	2.420	2.320	2.520	
	Gap. I(M-N/2)	0.125	0.215	0.035	
5	Gap. J(O-P/2)	-	-	-	Pass
	Tray K	0.880	1.010	0.750	
	Pkg. L	0.400	0.350	0.450	
7	Tray M	15.250	15.330	15.170	Pass
	Pkg. N	15.000	14.900	15.100	

SECTION "B-B"					
No.	Condition	Nominal	Max. TRAY		Results
			Min. PKG	Max. PKG	
1	Tray A	11.450	11.530	11.370	Pass
	Pkg. B	11.250	11.150	11.350	
2	Tray C	10.670	10.750	10.590	Pass
	Pkg. D	10.100	10.050	10.150	
3	Gap. E(A-B/2)	0.100	0.190	0.010	Pass
	Gap. F(C-D/2)	0.285	0.350	0.220	
4	Tray G	3.420	3.550	3.290	Pass
	Pkg. H	2.420	2.320	2.520	
5	Gap. I(M-N/2)	0.125	0.215	0.035	Pass
	Gap. J(O-P/2)	-	-	-	
6	Tray K	0.880	1.010	0.750	Pass
	Pkg. L	0.400	0.350	0.450	
7	Tray M	11.500	11.580	11.420	Pass
	Pkg. N	11.250	11.150	11.350	



LINEAR
TECHNOLOGY
1630 McCarthy Blvd.
Milpitas, CA. 95035
Phone: 408-432-1900
LTC Confidential

PIECE PART DRAWING
SIP 15MMX11.25MM
BLACK TRAY

DRAWING NO.

50-8052

APPROVALS

DATE:

DRAWN:

MOTHIEND

CHECKED:

R.RANGANATHAN

TOLERANCES UNLESS OTHERWISE SPECIFIED:

FRACTIONS

N/A

DECIMALS

XXXX ± 0.03

XXXX ± 0.03

ANGLES

± 1

SCALE

N/A

SIZE

N/A

SHEET

5 OF 5