

BOTTOM VIEW OF NOTCH AREA

- NOTES :
1. MATERIAL - PP13.
 2. ALL DIMENSIONS ARE IN MILLIMETERS.
 3. TOLERANCES - X.X=±0.25
- X.XX=±0.13
UNLESS OTHERWISE SPECIFIED.
THE DRAFT ANGLES FOR REFERENCE.
 4. ESD - SURFACE RESISTIVITY
- 10⁵ TO 10¹¹ OHMS/SQ.
 5. FOR PACKAGE - 1.4MM THICKNESS.
 6. PART NO. : ND 0707 1.4 1025 13 REV.A
(PLEASE INDICATE ON PURCHASE ORDER).
 7. DATECODE AT TRAY BOTTOM SIDE.

19	P-01662	REMOVE THE HYPHEN "-" ON THE TAB OF TRAYS	19 SEP 06
18	P-01593	REMOVE RECYCLE WITH SEMICYCLE ON THE SIDE OF TRAY	07 JUL 06
17	P-01346	ADD FOUR BRIDGES AT NOTCH AREA	03 JAN 05
16	P-00953	CHANGE FROM TOFF TO QFP	10 AUG 99
15	P-00901	CHANGE SURFACE RESISTIVITY	1 FEB 99
14	P-00764	ADD RUNNER GATE LOCATION	17 SEP 98
REV.NO.	ECN #	DESCRIPTION	DATE

THIS DOCUMENT CONTAINS INFORMATION PROPRIETARY TO PEAK PLASTIC & METAL PRODUCTS INTERNATIONAL LIMITED. REPRODUCTION, DISCLOSURE OR USE OF THIS DOCUMENT IS EXPRESSLY PROHIBITED EXCEPT IF OTHERWISE AGREED UPON IN WRITING.

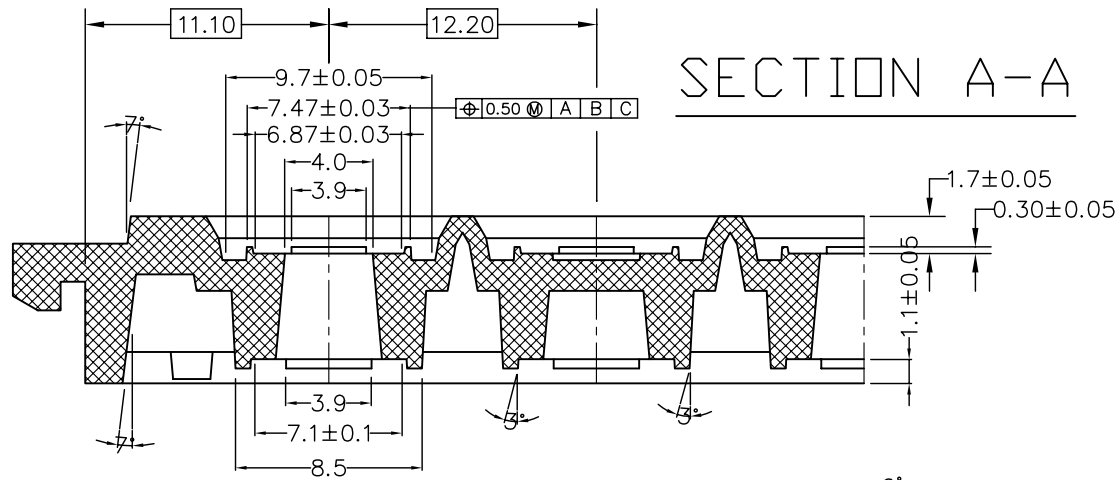
DRAWN BY :	WANG	PAGE 1 OF 2
CHECKED BY :	BUSH	DATE : 19 SEP 06
APPROVED BY :	DALTON	DATE : 19 SEP 06
APPROVED BY :	DAVY	DATE : 19 SEP 06
APPROVED BY :	EDEN	CODE : CSA11864

PEAK PEAK PLASTIC & METAL PRODUCTS INT'L LTD.

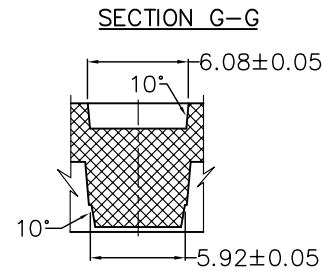
CUSTOMER : **PEAK**

TITLE : ND 0707 1.4 1025 13 REV.A

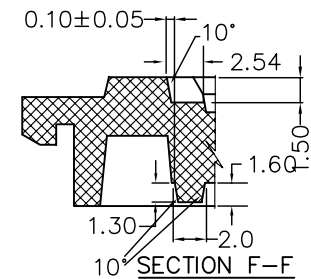
DWG NO.: ND 0707 1.4 1025 13 REV.A REV. 19



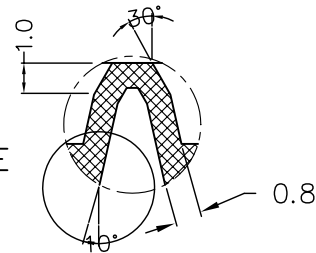
SECTION A-A



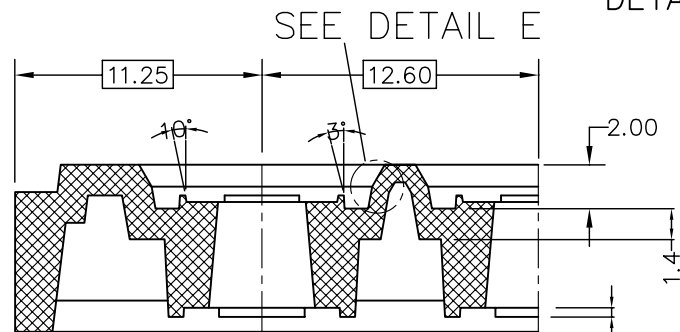
SECTION G-G



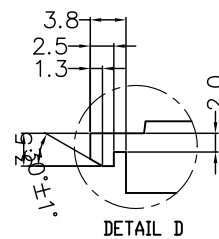
SECTION F-F



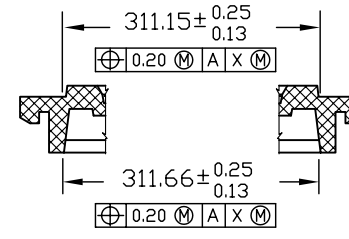
DETAIL E



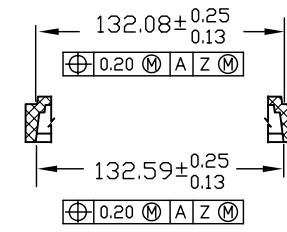
SECTION B-B



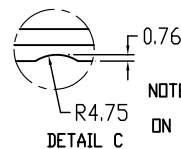
DETAIL D



SECTION H-H



SECTION J-J



DETAIL C

NOTE: SCALLOP IS CENTERED ON SIDE OF TRAY



PEAK PLASTIC & METAL PRODUCTS INT'L LTD.

19	P-01662	REMOVE THE HYPHEN™ ON THE TAB OF TRAYS	19 SEP 06
18	P-01593	REMOVE RECYCLE WITH SEMICYCLE ON THE SIDE OF TRAY	07 JUL 06
17	P-01346	ADD FOUR BRIDGES AT NOTCH AREA	03 JAN 05
16	P-00953	CHANGE FROM TQFP TO QFP	10 AUG 99
15	P-00901	CHANGE SURFACE RESISTIVITY	1 FEB 99
14	P-00764	ADD RUNNER GATE LOCATION	17 SEP 98
REV.NO.	ECN #	DESCRIPTION	DATE

THIS DOCUMENT CONTAINS INFORMATION PROPRIETARY TO PEAK PLASTIC & METAL PRODUCTS INTERNATIONAL LIMITED. REPRODUCTION, DISCLOSURE OR USE OF THIS DOCUMENT IS EXPRESSLY PROHIBITED EXCEPT IF OTHERWISE AGREED UPON IN WRITING.

DRAWN BY :	WANG	PAGE 2 OF 2
CHECKED BY :	BUSH	DATE : 19 SEP 06
APPROVED BY :	DALTON	DATE : 19 SEP 06
APPROVED BY :	DAVY	DATE : 19 SEP 06
APPROVED BY :	EDEN	CODE : CSA11864

CUSTOMER :	PEAK
TITLE :	ND 0707 1.4 1025 13 REV.A
DWG NO.:	ND 0707 1.4 1025 13 REV.A
REV. 19	