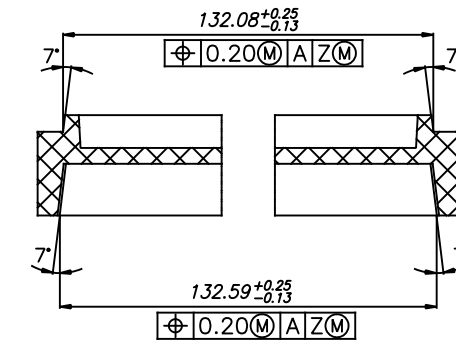
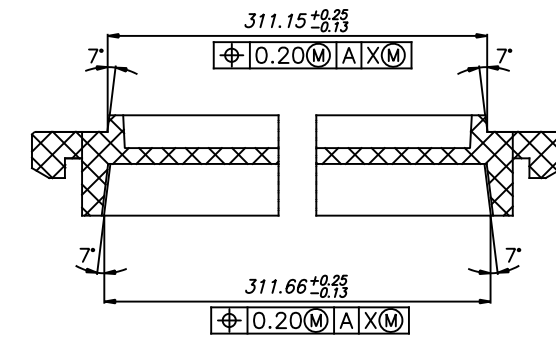
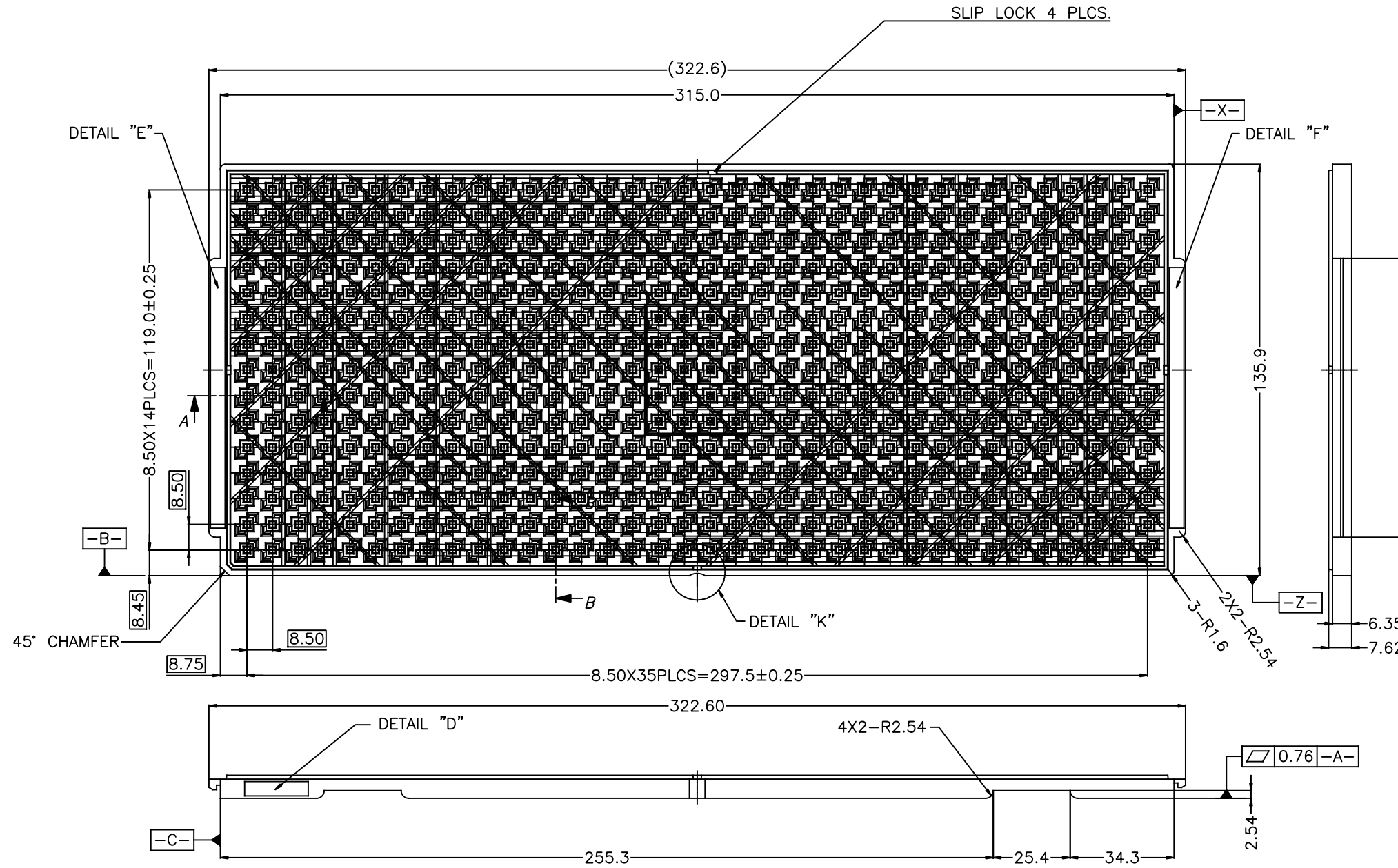


REV	DESCRIPTION	DATE	APPROVED
00	INITIAL COMPOSITE DRAWING		



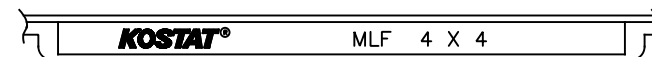
TRAY STACKING DETAIL  
(SCALE:4/1)

MLF 4 X 4  
KS-870243 REV.00

DETAIL "D"  
(SCALE:2/1)



DATE DETAIL  
(SCALE:2/1)



DETAIL "E"  
(SCALE:2/1)



DETAIL "F"  
(SCALE:2/1)

**LINEAR**  
TECHNOLOGY  
1630 McCarthy Blvd.  
Milpitas, CA. 95035  
Phone: 408-432-1900  
LTC Confidential

PIECE PART DRAWING  
LGA 4.0X4.0MM  
BLACK TRAY

DRAWING NO.

50-8020

APPROVALS DATE:

DRAWN:  
M.DTHIEND / D.PRUITT

CHECKED:  
R.RANGANATHAN

TOLERANCES UNLESS OTHERWISE SPECIFIED:

FRACTIONS  
N/A

DECIMALS  
XX.XX = ± 0.25  
XX.XXX = ± 0.13

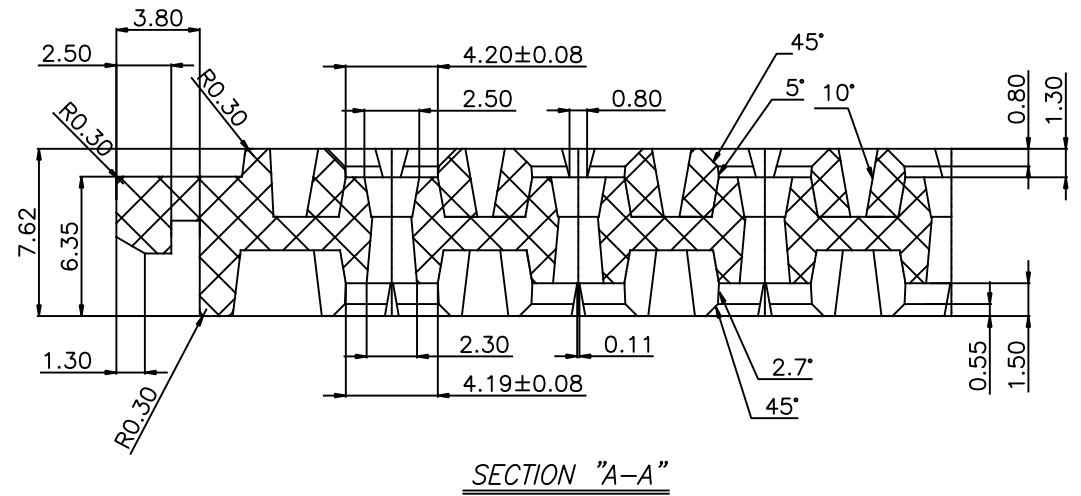
ANGLES  
± 1

SCALE  
N/A

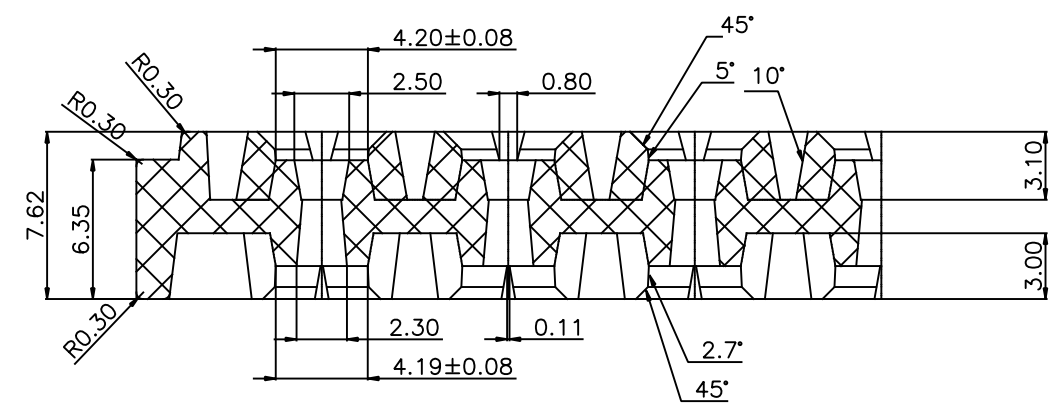
SIZE  
N/A

SHEET  
1 OF 3

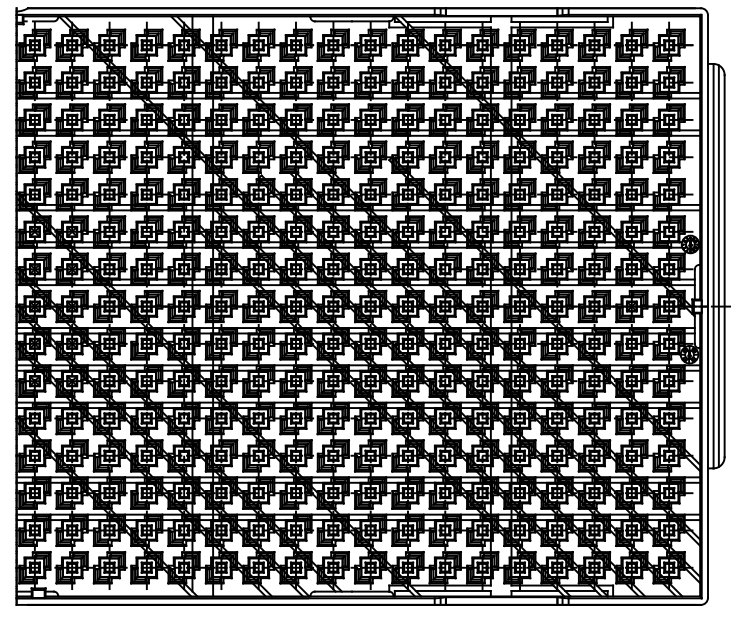
REV	DESCRIPTION	DATE	APPROVED
00	INITIAL COMPOSITE DRAWING		



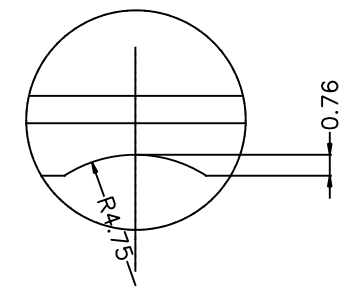
SECTION "A-A"



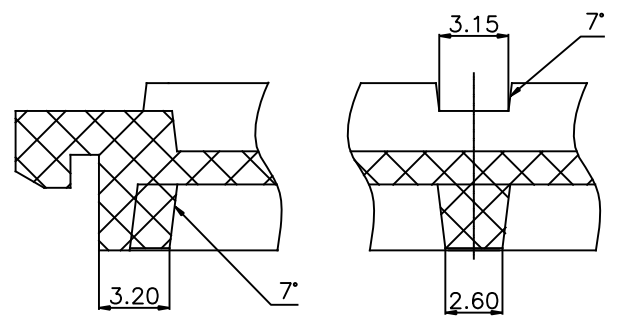
SECTION "B-B"



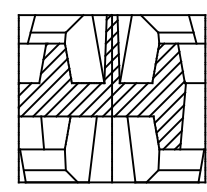
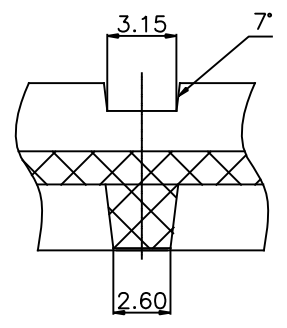
BOTTOM VIEW



DETAIL "K"



SLIP LOCK  
(SCALE:5/1)



VACUUM CELL  
(SCALE:5/1)

**LINEAR**  
TECHNOLOGY  
1630 McCarthy Blvd.  
Milpitas, CA. 95035  
Phone: 408-432-1900  
LTC Confidential

APPROVALS: \_\_\_\_\_ DATE: \_\_\_\_\_  
DRAWN: M.DTHIEND / D.PRUITT  
CHECKED: R.RANGANATHAN

PIECE PART DRAWING  
LGA 4.0X4.0MM  
BLACK TRAY

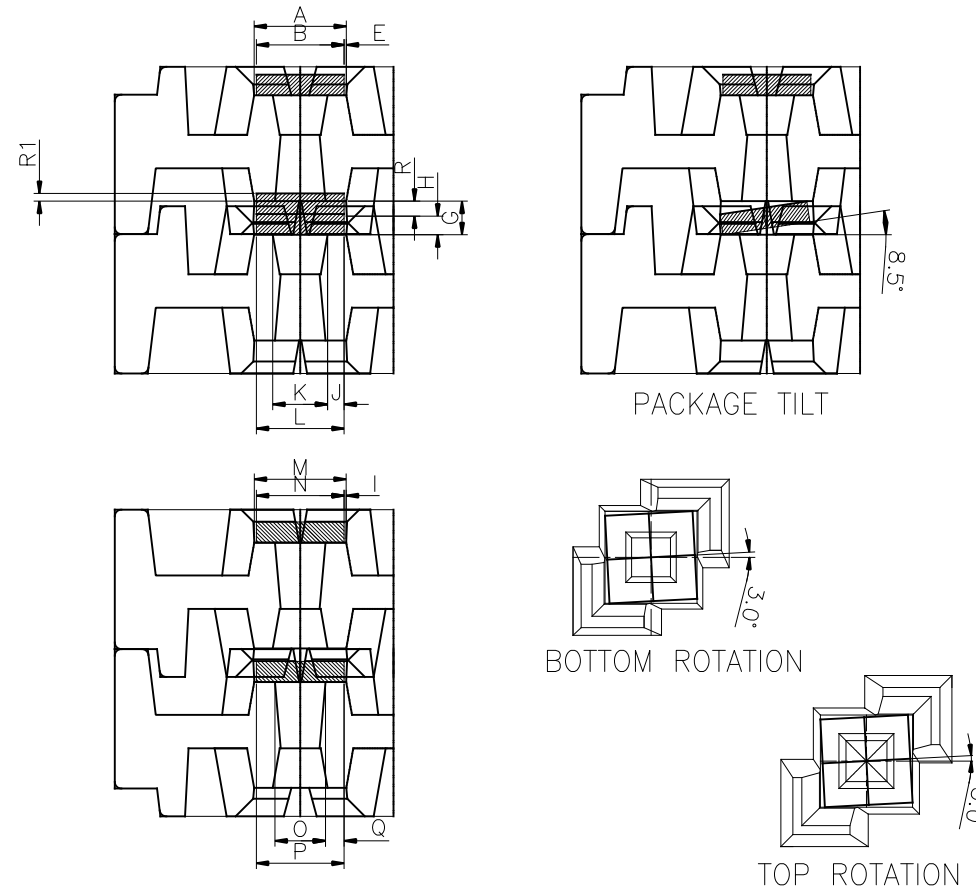
DRAWING NO. 50-8020

TOLERANCES UNLESS OTHERWISE SPECIFIED:  
FRACTIONS N/A DECIMALS: .XX XX = ± 0.25, .XXX XXX = ± 0.13 ANGLES ± 1

SCALE N/A SIZE N/A SHEET 2 OF 3

REV	DESCRIPTION	DATE	APPROVED
00	INITIAL COMPOSITE DRAWING		

Package Body Size	QFN 4X4X0.94MM
LINEAR Package Dwg. no.	05-08-1511 REV 0
Kostat Tray Dwg. no.	KS-870243(00)



SIMULATION CRITERIA						
1	A>B	PACKAGE SEATING				
2	E>0	PACKAGE LATERAL PLAY				
3	G>H	PACKAGE VERTICAL PLAY				
4	R>0	PACKAGE VERTICAL GAP				
5	R1<0	NO DOUBLE UNITS				
6	K<L	PACKAGE NESTING PLAY				
7	J>0	PACKAGE FELL OFF THE SHELF				
8	M>N	PACKAGE SEATING PLAY(FLIPPED)				
9	I>0	PACKAGE LATERAL PLAY(FLIPPED)				
10	O<P	PACKAGE NESTING(FLIPPED)				
11	Q>0	PACKAGE NESTING PLAY(FLIPPED)				

No.	Item	Section A-A Condition	Nominal			Result
			Nom Tray	WC1 Max Tray	WC2 Min Tray	
1	Tray	A	4.200	4.280	4.120	PASS
	Pkg	B	4.000	3.900	4.100	
2	Gap	$E=(A-B)/2$	0.100	0.190	0.010	PASS
	Tray	G	1.530	1.660	1.400	
3	Pkg	H	0.940	0.850	1.030	PASS
	Gap	$R=(G-H)$	0.590	0.810	0.370	
4	Gap	$R1=(G-2H)$	-0.350	-0.040	-0.660	PASS
	Tray	K	2.500	2.630	2.370	
5	Pkg	L	4.000	3.900	4.100	PASS
	Gap	$J=(L-K)/2$	0.750	0.635	0.865	
6	Tray	M	4.190	4.270	4.110	PASS
	Pkg	N	4.000	3.900	4.100	
7	Gap	$I=(M-N)/2$	0.095	0.185	0.005	PASS
	Tray	O	2.300	2.430	2.170	
8	Pkg	P	4.000	3.900	4.100	PASS
	Gap	$Q=(P-O)/2$	0.850	0.735	0.965	

**LINEAR**  
TECHNOLOGY  
1630 McCarthy Blvd.  
Milpitas, CA. 95035  
Phone: 408-432-1900  
LTC Confidential

PIECE PART DRAWING  
LGA 4.0X4.0MM  
BLACK TRAY

DRAWING NO.

50-8020

APPROVALS

DATE:

DRAWN:  
M.DTHIEND / D.PRUITT

CHECKED:  
R.RANGANATHAN

TOLERANCES UNLESS OTHERWISE SPECIFIED:

FRACTIONS  
N/A

DECIMALS  
XX.XX = ± 0.25  
XX.XXX = ± 0.13

ANGLES  
± 1

SCALE  
N/A

SIZE  
N/A

SHEET  
3 OF 3