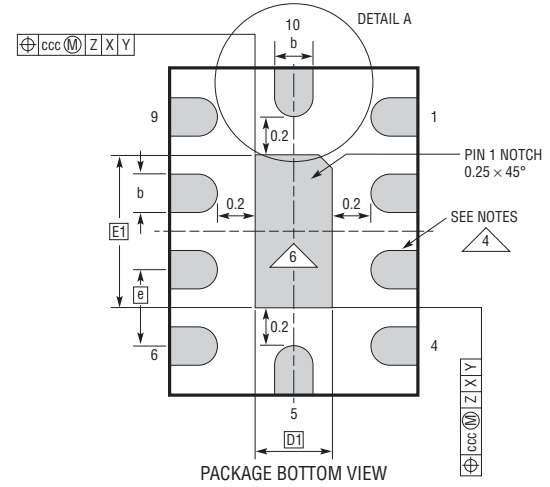
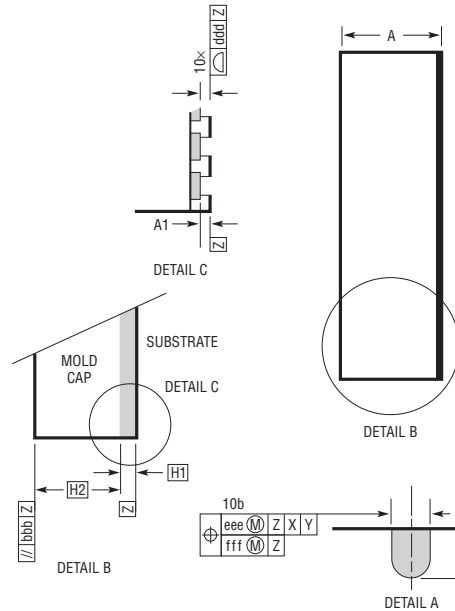
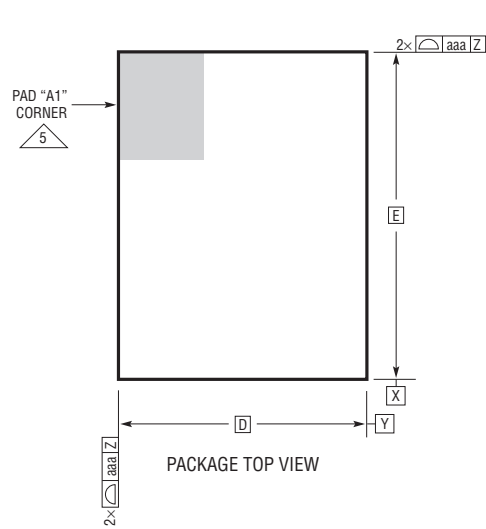


**LQFN Package**  
**10-Lead (1.8mm × 1.4mm × 0.71mm)**  
 (Reference LTC DWG # 05-08-1582 Rev 0)



**NOTES:**

1. DIMENSIONING AND TOLERANCING PER ASME Y14.5M-1994
2. ALL DIMENSIONS ARE IN MILLIMETERS
3. PRIMARY DATUM -Z- IS SEATING PLANE
4. METAL FEATURES UNDER THE SOLDER MASK OPENING NOT SHOWN SO AS NOT TO OBSCURE THESE TERMINALS AND HEAT FEATURES
5. DETAILS OF PAD #1 IDENTIFIER ARE OPTIONAL, BUT MUST BE LOCATED WITHIN THE ZONE INDICATED. THE PAD #1 IDENTIFIER MAY BE EITHER A MOLD OR MARKED FEATURE
6. THE EXPOSED HEAT FEATURE MAY HAVE OPTIONAL CORNER RADII

DIMENSIONS				
SYMBOL	MIN	NOM	MAX	NOTES
A	0.64	0.71	0.78	
A1	0.010	0.016	0.022	
L	0.25	0.30	0.35	
b	0.15	0.20	0.25	
D		1.4		
E		1.8		
D1		0.4		
E1		0.8		
e		0.40		
H1		0.18		
H2		0.53		
aaa			0.10	
bbb			0.10	
ccc			0.08	
ddd			0.08	
eee			0.07	
fff			0.05	