

IN THIS ISSUE

RS485 and RS232 transceivers combined in a single device 12

fast-acting IC protects sensitive circuits from overvoltage and reverse supply connections 23

microprocessor power supply works with FET drivers, DrMOS and power blocks 26

±5V split-voltage power supply for analog circuits 40

LTPoE++ Extends PoE to 90W with Reliable and Easy-to-Use Standard

Heath Stewart

Power over Ethernet, or PoE, is an increasingly popular way to deliver both power and data over existing Ethernet cable, thus freeing applications from the constraint of AC-power proximity. As the number PoE solutions has grown so has the applications' appetite for power.

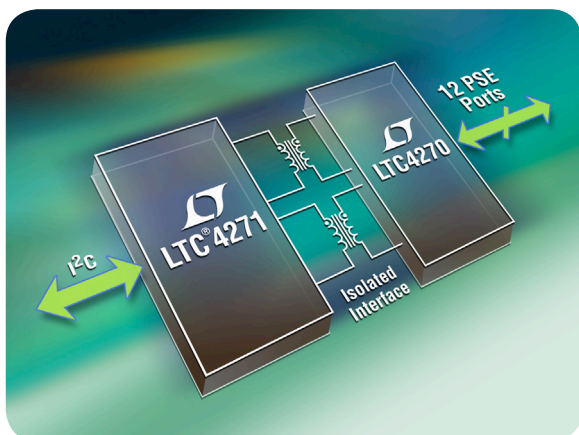
A new proprietary standard, LTPoE++™, satisfies this hunger by extending the PoE and PoE+ specifications to 90W of PD delivered power. LTPoE++ also dramatically reduces engineering complexity in power sourcing equipment (PSEs) and powered devices (PDs) when compared to other power-expansion solutions.

Plug-and-play simplicity and safe, robust power delivery are hallmarks of LTPoE++. The capabilities of this standard expand the field of Ethernet-powered applications by several orders of magnitude, enabling entirely new classes of PDs, such as power-hungry picocells, base stations or heaters for pan-tilt-zoom cameras.

HISTORY OF PoE

PoE is a standard protocol for sending DC power over copper Ethernet data wiring. The IEEE group that administers the 802.3 Ethernet data standards added PoE capability in 2003. The original PoE spec, known as 802.3af, allowed for 48V DC power at up to 13W. Although the initial specification was widely popular, the 13W cap limited the number of possible applications. In 2009, the IEEE released a new standard, known as 802.3at or PoE+, increasing the voltage and current requirements to supply 25.5W of power.

(continued on page 4)



Linear offers a comprehensive lineup of PoE and LTPoE++ products. The LTC®4270/71 chipset reduces PoE costs and complexity by replacing undesirable opto-couplers with a simple off-the-shelf transformer. Like all LTPoE++ products, this chipset also extends PoE delivered power to 90W.



Table 1. PSE and PD power delivery matrix shows extended power levels of LTPoE++

DEVICE	PSE							
	STANDARD	802.3AT		LTPoE++				
	TYPE	TYPE 1	TYPE 2	38.7W	52.7W	70W	90W	
PD	802.3AT	TYPE 1	13W	13W	13W	13W	13W	13W
		TYPE 2	13W	25.5W	25.5W	25.5W	25.5W	25.5W
	LTPoE++	38.7W	13W	25.5W	38.7W	38.7W	38.7W	38.7W
		52.7W	13W	25.5W	—	52.7W	52.7W	52.7W
		70W	13W	25.5W	—	—	70W	70W
		90W	13W	25.5W	—	—	—	90W

(LTPoE++, continued from page 1)

The IEEE standard also defines PoE terminology, as shown in Figure 1. A device that provides power to the network is known as a PSE, or power sourcing equipment, while a device that draws power from the network is known as a PD, or powered device. PSEs come in two types: endpoints (typically network switches or routers), which send both data and power, and midspans, which inject power but pass data through. Midspans are typically used to add PoE capability to existing non-PoE networks. Typical PD applications are IP phones, wireless access points, security cameras, cellular femtocells, picocells and base stations.

The IEEE PoE+ specification specifies backward compatibility with 802.3af PSEs and PDs. The PoE+ specification

defines Type 1 PSEs and PDs to include PSEs and PDs delivering up to 13W. Type 2 PSEs and PDs deliver up to 25.5W.

LTPoE++ EVOLUTION

The IEEE PoE+ 25.5W specification had not yet been finalized when it became clear that there was a significant and increasing need for more than 25.5W of delivered power. In response

to this need, the LTPoE++ specification reliably allocates up to 90W of delivered power to an LTPoE++ PD.

The LTPoE++ specification provides reliable detection and classification extensions to existing IEEE PoE protocols. LTPoE++ is backward compatible and interoperable with existing Type 1 and Type 2 PDs. Unlike other proprietary power-extending

Figure 1. Typical PoE system

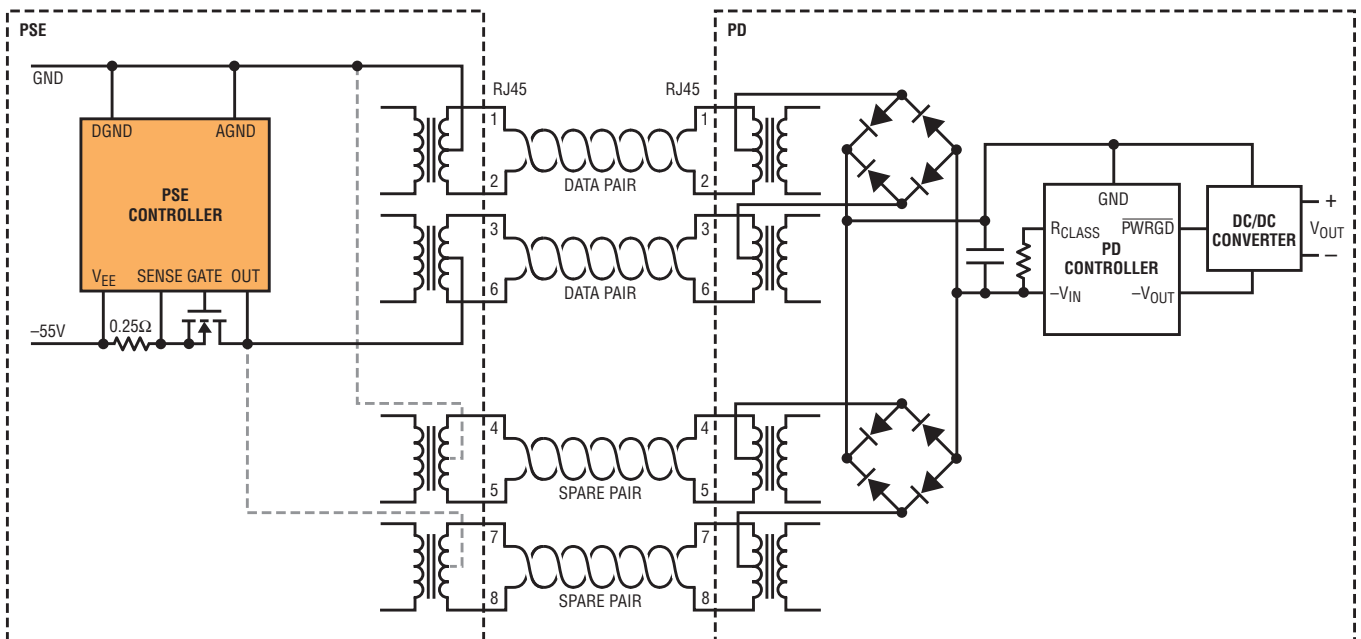
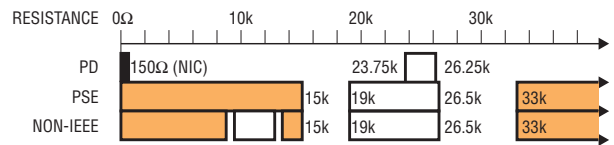


Figure 2. IEEE 802.3at signature resistance ranges



solutions, Linear’s LTPoE++ provides mutual identification between the PSE and PD. LTPoE++ PSEs can differentiate between an LTPoE++ PD and all other types of IEEE compliant PDs, allowing LTPoE++ PSEs to remain compliant and interoperable with existing equipment.

LTPoE++ PSEs and PDs seamlessly interoperate with IEEE 802.3at Type 1 and Type 2 devices. Type 1 PSEs generally encompass 802.3af functionality at and below 13W. Type 2 PSEs extend traditional PoE to 25.5W. The following points reference Table 1:

- Type 1 PSEs will power all Type 1, Type 2 and LTPoE++ PDs with up to 13W.
- Type 2 PSEs will power Type 1 PDs with up to 13W and provide 25.5W to Type 2 and LTPoE++ PDs.
- LTPoE++ PDs can power up with limited functionality even when attached to traditional Type 1 and 2 PSEs.
- LTPoE++ PSEs interoperate with Type 1 and Type 2 PDs. LTPoE++ PDs are powered to the designed limit of the LTPoE++ PSE. When an LTPoE++ PD is identified, the PD will be powered up if the PSE power rating meets or exceeds the requested PD power. For example, a 52.7W LTPoE++ PSE can power both 38.7W and 52.7W PDs.

IEEE-COMPLIANT PD DETECTION

LTPoE++ physical detection and classification is a simple, backward-compatible extension of existing schemes. Other power extension protocols violate the IEEE specification, as shown in Figure 2, and risk powering up known noncompliant NICs. Any high

Table 2. PSE vs PD vs application power

STANDARD	TYPE	PSE POWER V _{MAX}	PSE POWER V _{MIN}	PD POWER V _{MIN}	APPLICATION POWER*
802.3AT	Type 1	17.8W	15.4W	13W	11.7W
	Type 2	36W	34W	25.5W	23W
	Dual Type 2	72W	68W	51W	46W
LTPoE++		38.7W	47W	38.7W	34.8W
		52.7W	66W	52.7W	47.4W
		70W	94W	70W	63W
		90W	133W	90W	81W

*Assumes DC/DC converter efficiency of 90%

power allocation scheme violating the IEEE-mandated detection resistance specifications risks damaging and destroying non-PoE Ethernet devices.

The following rules define any detection methodology for the highest levels of safety and interoperability.

- *Priority 1:* Don’t turn on things you shouldn’t turn on.
- *Priority 2:* Do turn on things you should.

Linear Technology PSEs provide extremely robust detection schemes utilizing four-point detection. False positive detections are minimized by checking for signature resistance with both forced-current and forced voltage measurements.

LTPoE++ ADVANTAGES

Standard PoE PSEs use two of the four available Ethernet cable pairs for power. Some power-extending topologies use two PSEs and two PDs over one cable to deliver 2 × 25.5W power. This “dual

Type 2” topology is shown in Figure 3. The main problem with this strategy is that it doubles the number of components, thus doubling PSE and PD costs. Additionally, robust design considerations require two DC/DC converters at the PD, one for each component PD, where each DC/DC converter is a relatively complex flyback or forward isolated supply.

One of the DC/DC converters in a dual Type 2 set-up can be eliminated by ORing the PD’s output power as shown in Figure 4. This approach still requires two PSEs and two PDs, with the associated cost and space disadvantages. The voltage drop incurred by the power ORing diodes might be considered a fair trade-off for the savings gained by using a single DC/DC converter. In most cases diode ORed power sharing architectures remain attractive until surge protection testing begins. Due to intrinsic reductions in surge protection tolerance, these solutions rarely meet PD design goals.

The increased power capability of LTPoE++ expands the field of ethernet-powered applications by several orders of magnitude, enabling entirely new classes of PDs, such as power-hungry picocells, base stations or even heaters for pan-tilt-zoom cameras.

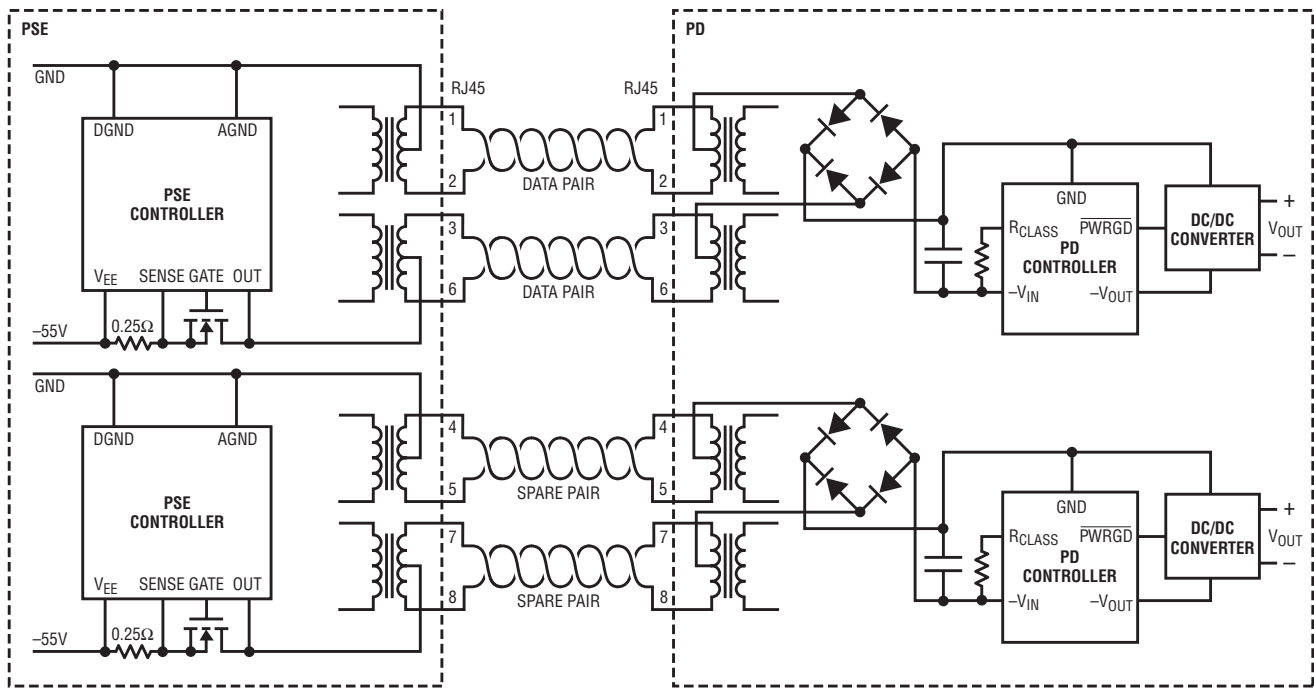


Figure 3. The expensive way to extend PoE+ power. Dual Type 2 PD provides more power than standard PoE+ PD, but it also doubles the cost and component count.

In contrast, LTPoE++ solutions, as shown in Figure 5, require only a single PSE, PD and DC/DC converter, resulting in significant board space, cost and development time advantages.

LLDP INTEROPERABILITY AND OPTIONS

During selection and architecture of a PoE system, many PD designers are surprised to discover the hidden costs of Link Layer Discovery Protocol (LLDP) implementations. LLDP is the IEEE-mandated PD software-level power negotiation. LLDP requires extensions to standard Ethernet stacks and can represent a significant software

development effort. Unfortunately the open-source community effort to provide LLDP support is still in its infancy.

While Type 2 PSEs may optionally implement LLDP, fully IEEE-compliant Type 2 PDs must implement both physical classification and LLDP power negotiation capabilities. First, this places the burden of LLDP software development on all Type 2 PDs. In addition, designs are complicated by the dual power requirements inferred by the LLDP requirement. Specifically, the PD-side processor must be fully functional at the 13W power level and then have the ability to negotiate, via LLDP, for the delivery of additional power. Clearly

this requirement can increase development and system costs and complexity.

LTPoE++ offers LLDP implementation options. LTPoE++ PSEs and PDs autonomously negotiate power level requirements and capabilities at the hardware level while remaining fully compatible with LLDP-based solutions. In short, LTPoE++ gives system designers the choice to implement or not implement LLDP. Proprietary end-to-end systems may choose to forgo LLDP support. This creates time-to-market advantages while further reducing BOM costs, board size and complexity.

Linear Technology is committed to LTPoE++ technology and provides an entire family of PSE and PD solutions. A full family of PSEs, spanning 1- to 12-port solutions is now available.

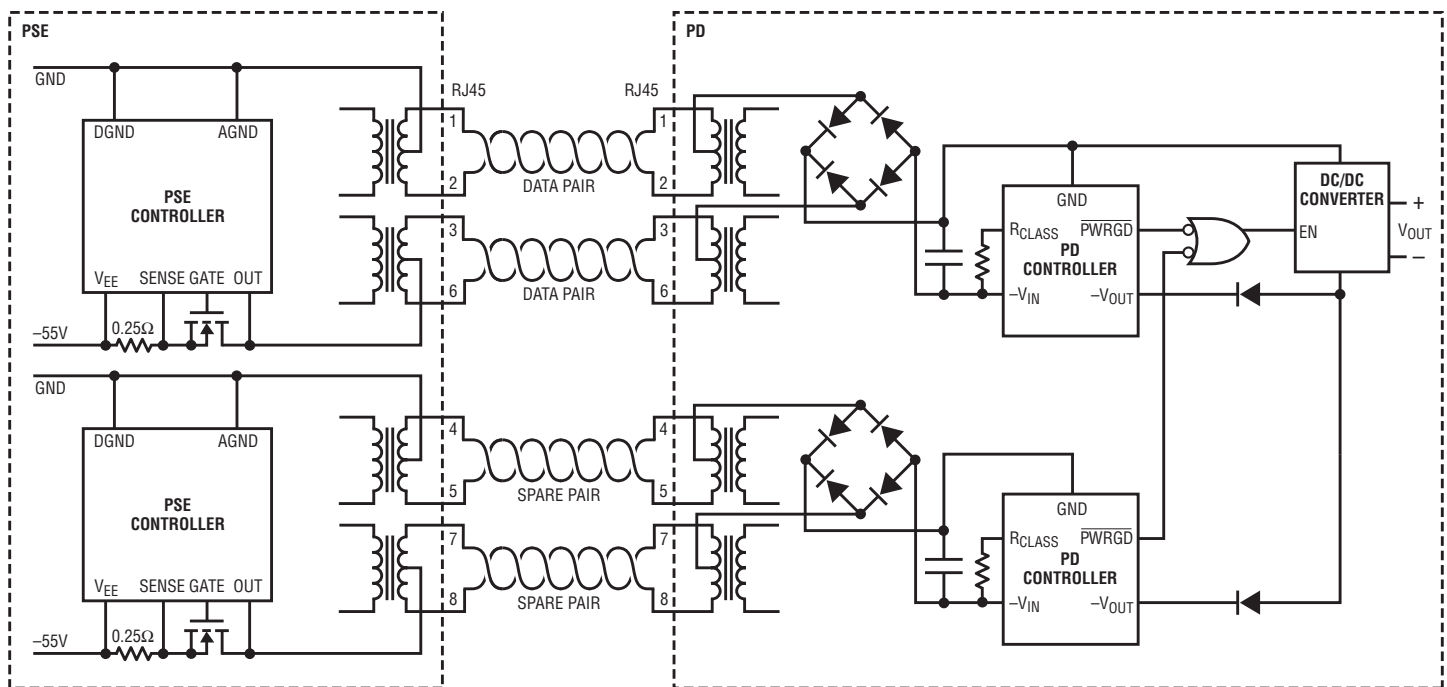


Figure 4. Less expensive, but flawed, alternative for extending PoE+ power. This scheme is similar to the dual Type 2 set-up shown in Figure 3, but a diode ORed power sharing architecture reduces some of the cost by eliminating one DC/DC converter in the PD. However, due to intrinsic reductions in surge protection tolerance, these solutions rarely meet PD design goals.

POWER CLAIMS DEMYSTIFIED

PoE power paths can be divided into three main components: the power produced by the PSE, the power delivered to the PD and the power delivered to the application. Claims of PSE and PD power delivery capabilities must be carefully examined before useful comparisons can be made. One vendor may describe the power as delivered by the PSE, another the power delivered to the PD, while the PD designer typically cares about power consumed by the application.

Although the PSE power metric is the least useful of the three, it is the one most often cited in marketing materials.

PSE power is generally defined as the power delivered at the PSE end of the Ethernet cable. Power capability is sometimes further distorted when vendors specify power at the maximum rated voltage, which is rarely achieved.

PD power or “delivered power” is the power delivered to the PD end of the Ethernet cable, prior to the diode bridge. Quoted PD power is a more useful metric than PSE power, since it must account for significant losses over 100 meters of CAT-5e cable. PD power claims make no assumptions about the application’s DC/DC converter and

diode bridge efficiencies, which are unknown to PSE and PD silicon vendors.

A PD designer is most interested in the power delivered to the application when all system effects are considered, including the resistance of the Ethernet magnetics, diode bridge voltage drops and DC/DC converter efficiency. This metric, while the most telling, is the most difficult to accurately specify.

Table 2 shows actual performance comparisons at all stages of the power path. Note that the dual Type 2 configuration delivers far less power than the LTPoE++ 70W and 90W solutions.

LTPoE++ offers a robust, end-to-end high power PoE solution with up-front cost savings. Combined with Linear Technology's excellent application support, proven delivery record and reputation for reliability, LTPoE++ is the most comprehensive high power solution on the market.

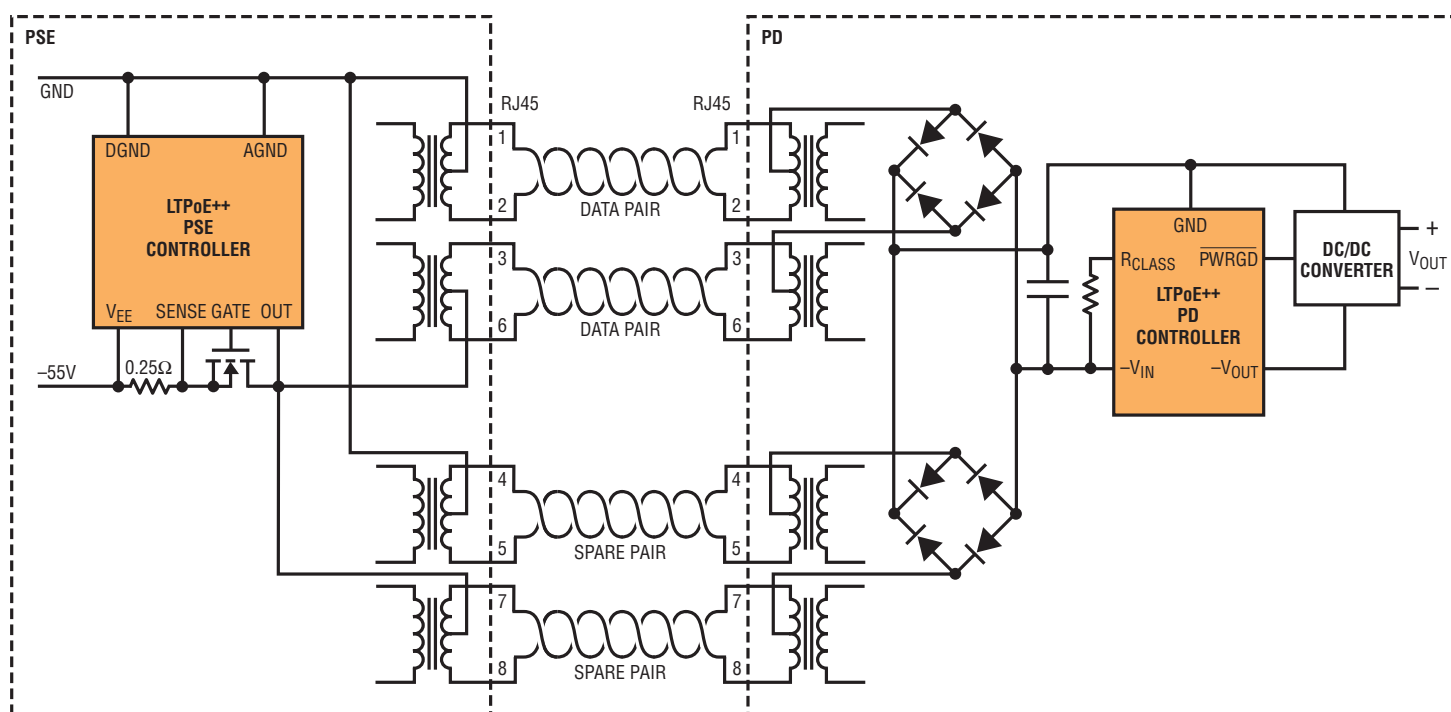


Figure 5. The LTPoE++ architecture is the only PoE power-extending solution that provides 90W at the PD while keeping complexity and costs in check.

PSE AVAILABILITY

Linear Technology is committed to LTPoE++ technology and provides an entire family of PSE and PD solutions. A full family of PSEs, spanning 1- to 12-port solutions is now available, shown in Table 3.

CONCLUSION

LTPoE++ offers a robust, end-to-end high power PoE solution with up-front cost savings. Combined with Linear Technology's excellent application support, proven delivery record and reputation for reliability, LTPoE++ is the most comprehensive high power solution on the market. LTPoE++ systems simplify power delivery and allow system designers to concentrate their design efforts on their high value applications. ■

PSE PART	# PORTS	DELIVERED PD POWER (MAX)
LTC4274A-1	1	38.7W
LTC4274A-2	1	52.7W
LTC4274A-3	1	70W
LTC4274A-4	1	90W
LTC4266A-1	4	38.7W
LTC4266A-2	4	52.7W
LTC4266A-3	4	70W
LTC4266A-4	4	90W
LTC4270A	12	38.7W–90W (pin selected)

Table 3. LTPoE++ PSEs