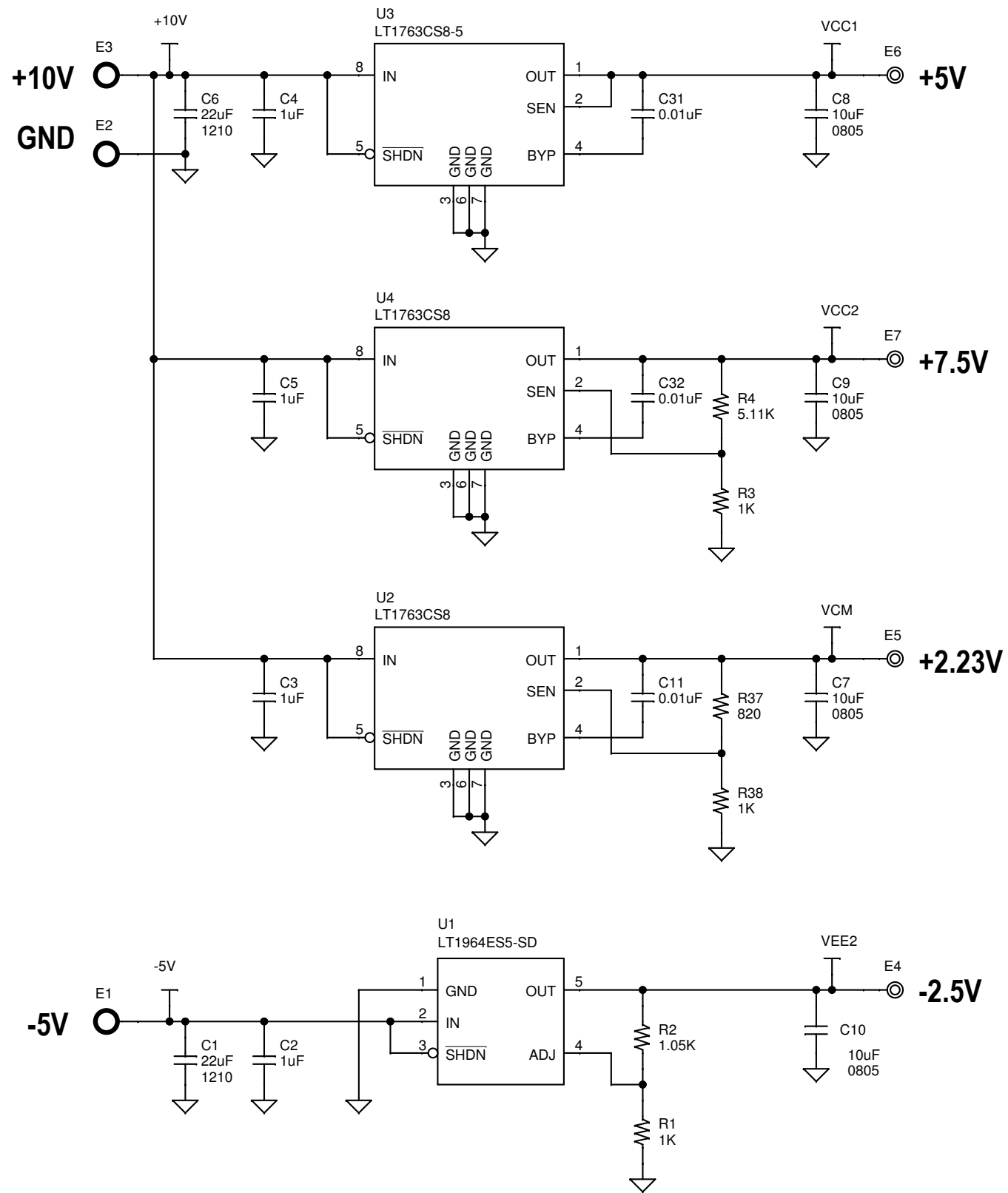


Title		
Single-Ended to Differential SAR Driver Board		
Size	Document Number	Rev
B	DC2623A	0
Date:	Monday, October 17, 2016	Sheet 1 of 1



Title		
Single-Ended to Differential SAR Driver Board		
Size B	Document Number DC2623A	Rev 0
Date:	Friday, October 14, 2016	Sheet 1 of 1