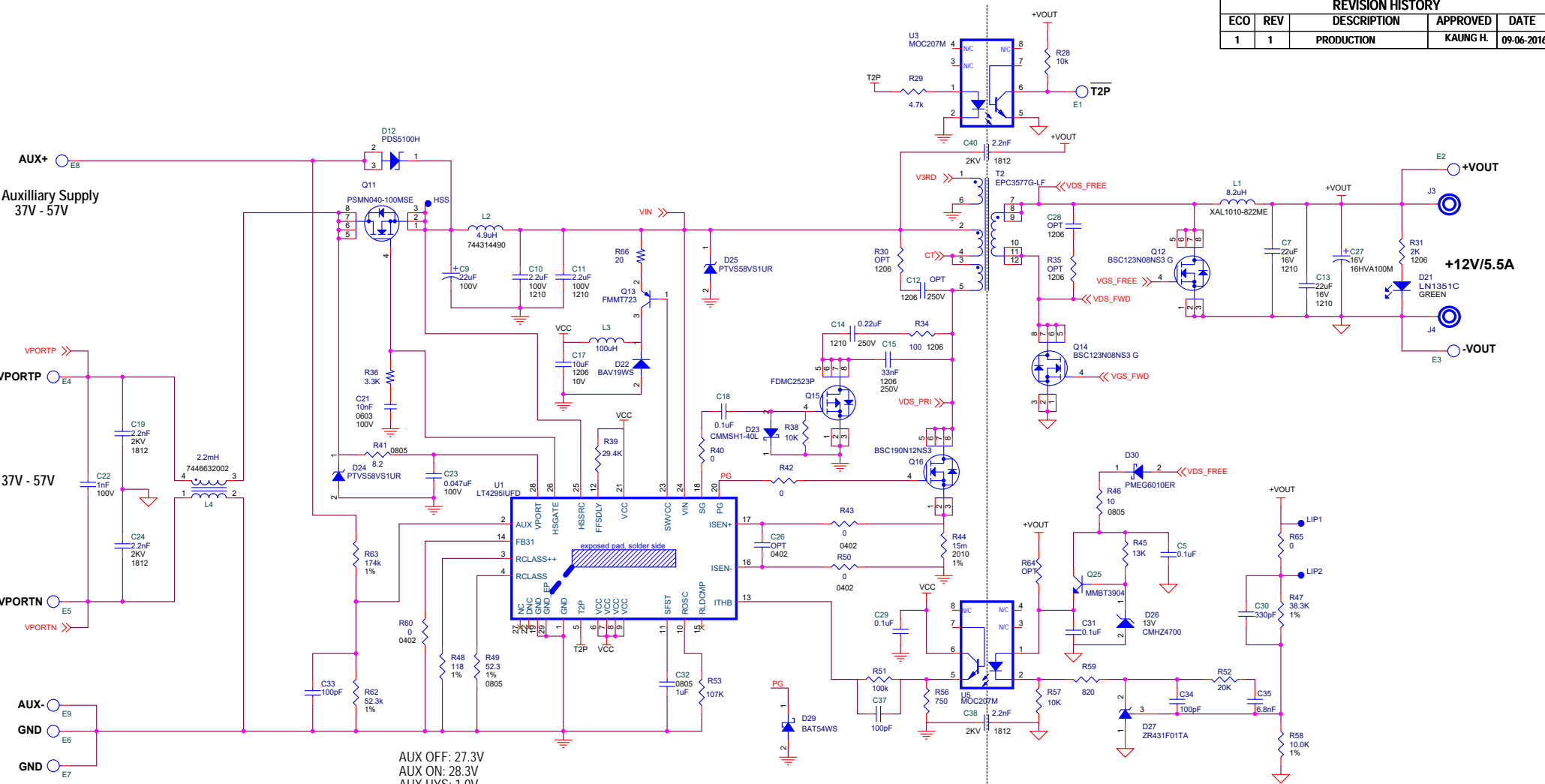
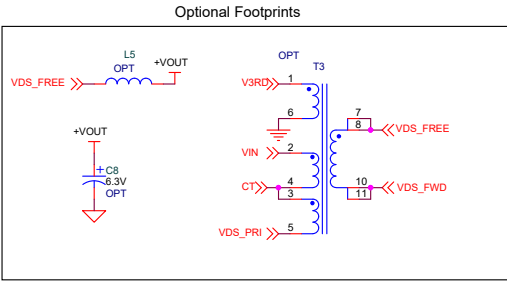


REVISION HISTORY

ECO	REV	DESCRIPTION	APPROVED	DATE
1	1	PRODUCTION	KAUNG H.	09-06-2016



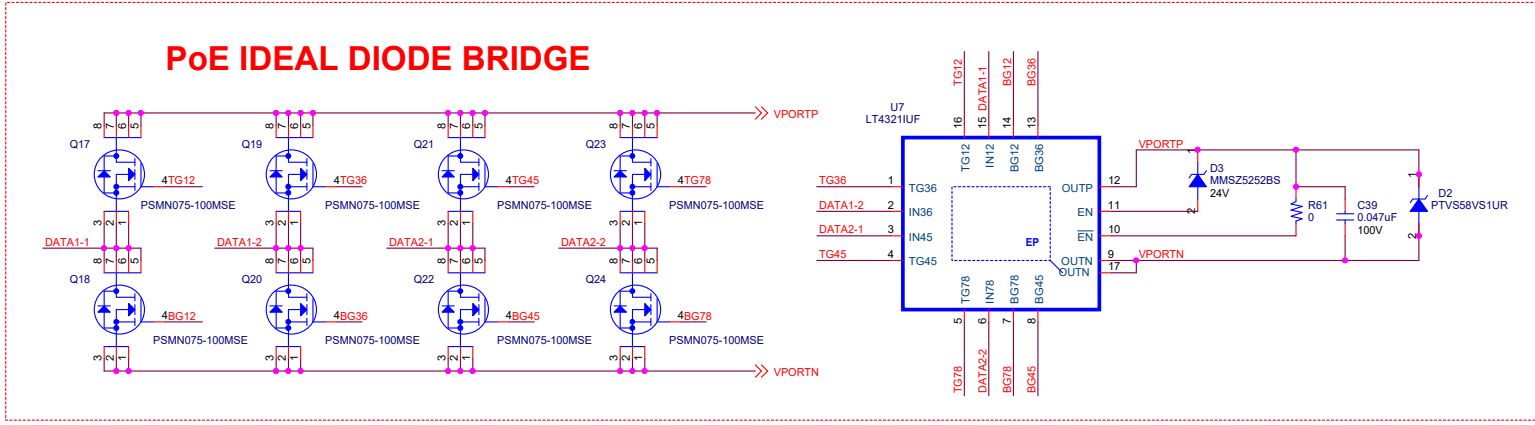
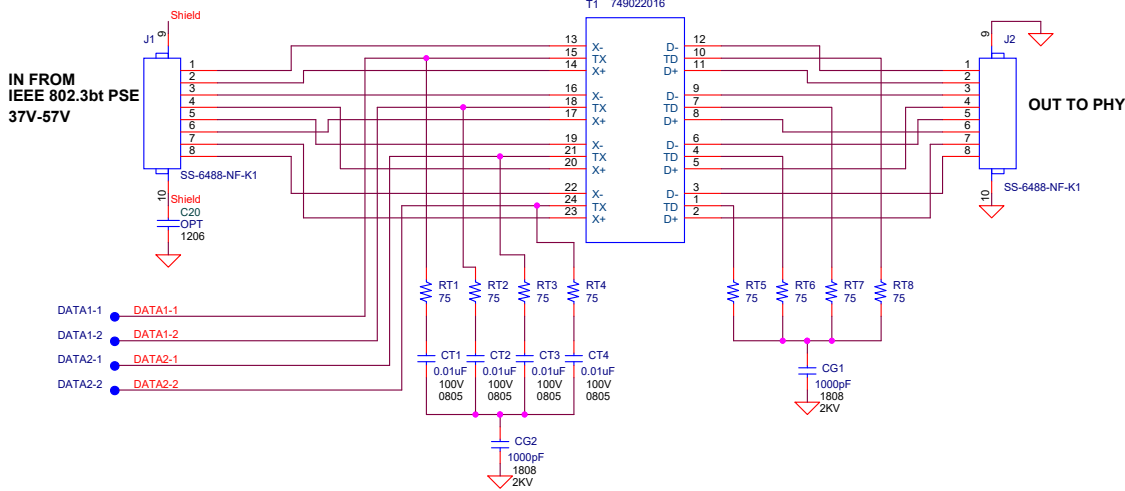
AUX OFF: 27.3V
 AUX ON: 28.3V
 AUX HYS: 1.0V



- NOTES:
1. Unless otherwise noted, all resistors on this sheet are 0603, 5%
 2. Unless otherwise noted, all capacitors on this sheet are 0603 and 50V

CUSTOMER NOTICE		APPROVALS			1630 McCarthy Blvd. Milpitas, CA 95035 Phone: (408)432-1900 www.linear.com Fax: (408)434-0507 LTC Confidential-For Customer Use Only	
LINEAR TECHNOLOGY HAS MADE A BEST EFFORT TO DESIGN A CIRCUIT THAT MEETS CUSTOMER-SUPPLIED SPECIFICATIONS; HOWEVER, IT REMAINS THE CUSTOMER'S RESPONSIBILITY TO VERIFY PROPER AND RELIABLE OPERATION IN THE ACTUAL APPLICATION. COMPONENT SUBSTITUTION AND PRINTED CIRCUIT BOARD LAYOUT MAY SIGNIFICANTLY AFFECT CIRCUIT PERFORMANCE OR RELIABILITY. CONTACT LINEAR TECHNOLOGY APPLICATIONS ENGINEERING FOR ASSISTANCE.		PCB DES.	K. HTOO		TITLE: SCHEMATIC	IEEE 802.3bt POWERED DEVICE INTERFACE
		APP ENG.	K. HTOO	WITH FORWARD DC-DC CONVERTER		
		SCALE	NONE	SIZE	IC NO.	REV.
THIS CIRCUIT IS PROPRIETARY TO LINEAR TECHNOLOGY AND SUPPLIED FOR USE WITH LINEAR TECHNOLOGY PARTS.				N/A	LT4295IUFD, LT4321IUFD	1
		DATE:	Friday, October 06, 2017	DEMO CIRCUIT 2584A-A		SHEET 1 OF 3

REVISION HISTORY				
ECO	REV	DESCRIPTION	APPROVED	DATE
1	1	PRODUCTION	KAUNG H.	09-06-2016



NOTES:
 1. Unless otherwise noted, all resistors on this sheet are 0603, 5%

CUSTOMER NOTICE
 LINEAR TECHNOLOGY HAS MADE A BEST EFFORT TO DESIGN A CIRCUIT THAT MEETS CUSTOMER-SUPPLIED SPECIFICATIONS; HOWEVER, IT REMAINS THE CUSTOMER'S RESPONSIBILITY TO VERIFY PROPER AND RELIABLE OPERATION IN THE ACTUAL APPLICATION. COMPONENT SUBSTITUTION AND PRINTED CIRCUIT BOARD LAYOUT MAY SIGNIFICANTLY AFFECT CIRCUIT PERFORMANCE OR RELIABILITY. CONTACT LINEAR TECHNOLOGY APPLICATIONS ENGINEERING FOR ASSISTANCE.

THIS CIRCUIT IS PROPRIETARY TO LINEAR TECHNOLOGY AND SUPPLIED FOR USE WITH LINEAR TECHNOLOGY PARTS.

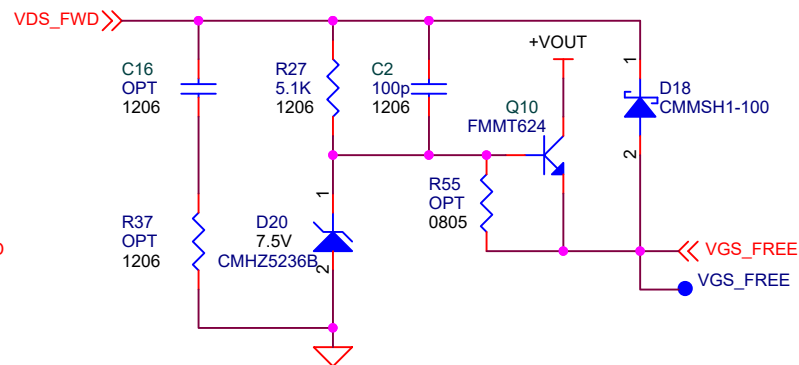
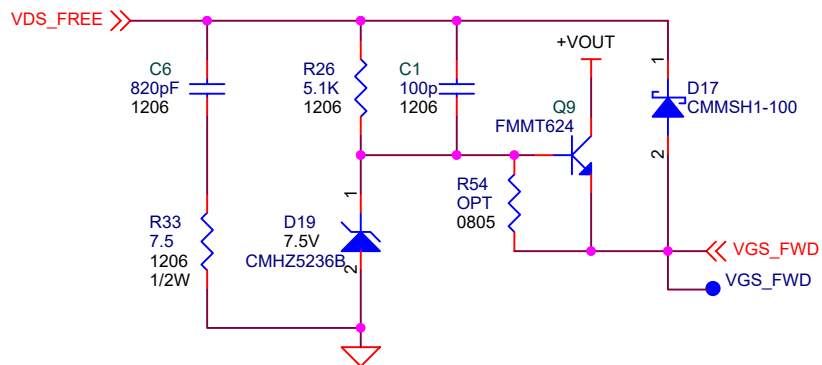
APPROVALS	
PCB DES.	K. HTOO
APP ENG.	K. HTOO
SCALE	NONE

LINEAR TECHNOLOGY
 1630 McCarthy Blvd.
 Milpitas, CA 95035
 Phone: (408)432-1900 www.linear.com
 Fax: (408)434-0507
 LTC Confidential-For Customer Use Only

TITLE: SCHEMATIC
IEEE 802.3bt POWERED DEVICE INTERFACE
 WITH FORWARD DC-DC CONVERTER

SIZE	IC NO.	REV.
N/A	LT4295IUF, LT4321IUF	1
DEMO CIRCUIT 2584A-A		

DATE: Monday, February 27, 2017 SHEET 2 OF 3



CUSTOMER NOTICE

LINEAR TECHNOLOGY HAS MADE A BEST EFFORT TO DESIGN A CIRCUIT THAT MEETS CUSTOMER-SUPPLIED SPECIFICATIONS; HOWEVER, IT REMAINS THE CUSTOMER'S RESPONSIBILITY TO VERIFY PROPER AND RELIABLE OPERATION IN THE ACTUAL APPLICATION. COMPONENT SUBSTITUTION AND PRINTED CIRCUIT BOARD LAYOUT MAY SIGNIFICANTLY AFFECT CIRCUIT PERFORMANCE OR RELIABILITY. CONTACT LINEAR TECHNOLOGY APPLICATIONS ENGINEERING FOR ASSISTANCE.

THIS CIRCUIT IS PROPRIETARY TO LINEAR TECHNOLOGY AND SUPPLIED FOR USE WITH LINEAR TECHNOLOGY PARTS.

APPROVALS

PCB DES. K. HTOO

APP ENG. K. HTOO

SCALE = NONE



1630 McCarthy Blvd.
Milpitas, CA 95035
Phone: (408)432-1900 www.linear.com
Fax: (408)434-0507
LTC Confidential-For Customer Use Only

TITLE: SCHEMATIC
IEEE 802.3bt POWERED DEVICE INTERFACE
WITH FORWARD DC-DC CONVERTER

SIZE N/A IC NO. LT4295IUFD, LT4321IUF
DEMO CIRCUIT 2584A-A

REV. 1

DATE: Monday, February 27, 2017

SHEET 3 OF 3