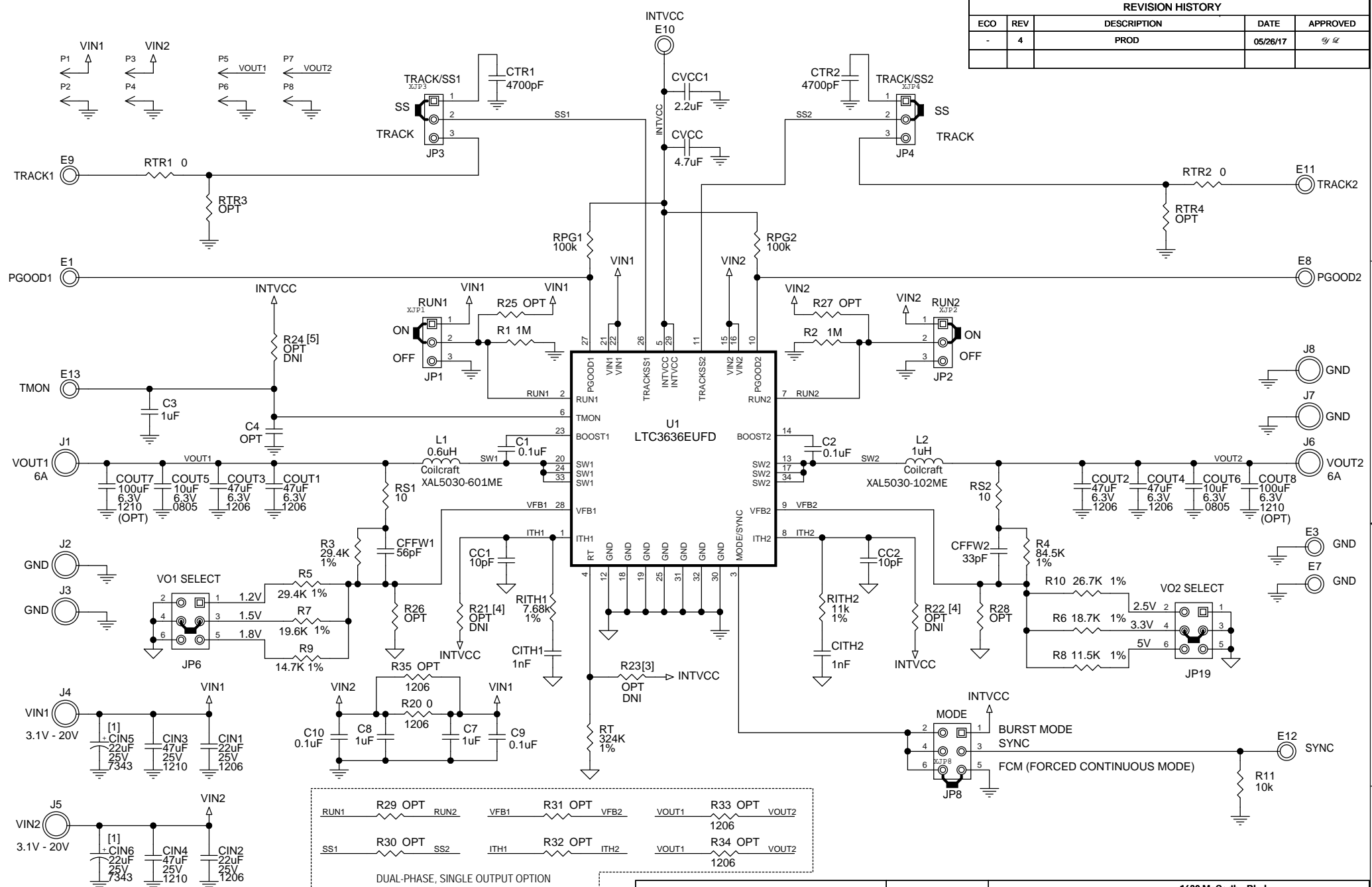
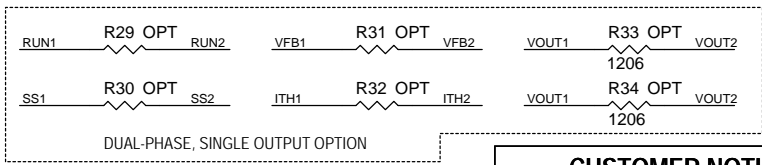


REVISION HISTORY				
ECO	REV	DESCRIPTION	DATE	APPROVED
-	4	PROD	05/26/17	<i>g/l</i>



NOTES: UNLESS OTHERWISE SPECIFIED,

- [1] CIN5 AND CIN6 ARE INSERTED ON DC2335A TO DAMPEN THE (POSSIBLE) RINGING VOLTAGE DUE TO THE USE OF LONG INPUT LEADS. ON A NORMAL, TYPICAL PCB, WITH SHORT TRACES, CIN5 AND CIN6 ARE NOT NEEDED.
- 2. ALL RESISTORS AND CAPACITORS ARE 0603.
- [3] INSERT A ZERO-OHM SHUNT TO SET THE SWITCHING TO 2 MHz.
- [4] INSERT A ZERO-OHM SHUNT TO INDUCE INTERNAL COMPENSATION.
- [5] INSERT A ZERO-OHM SHUNT TO SHUT DOWN THE TEMPERATURE MONITOR CIRCUIT.



CUSTOMER NOTICE
 LINEAR TECHNOLOGY HAS MADE A BEST EFFORT TO DESIGN A CIRCUIT THAT MEETS CUSTOMER-SUPPLIED SPECIFICATIONS; HOWEVER, IT REMAINS THE CUSTOMER'S RESPONSIBILITY TO VERIFY PROPER AND RELIABLE OPERATION IN THE ACTUAL APPLICATION. COMPONENT SUBSTITUTION AND PRINTED CIRCUIT BOARD LAYOUT MAY SIGNIFICANTLY AFFECT CIRCUIT PERFORMANCE OR RELIABILITY. CONTACT LINEAR TECHNOLOGY APPLICATIONS ENGINEERING FOR ASSISTANCE.

APPROVALS

PCB DES.	<i>MS</i>
APP ENG.	<i>g/l</i>

SCALE = NONE

LINEAR TECHNOLOGY
 1630 McCarthy Blvd.
 Milpitas, CA 95035
 Phone: (408)432-1900 www.linear.com
 Fax: (408)434-0507
 LTC Confidential-For Customer Use Only

TITLE: SCHEMATIC
20VIN, DUAL 6A SYNCHRONOUS STEP-DOWN REGULATOR

SIZE	IC NO.	REV.
N/A	LTC3636EUFD	4
DATE: Friday, May 26, 2017		SHEET 1 OF 1