

**CONTROL INTERFACE**

VOUTADJ	1	2	IOUTADJ
VINADJ	3	4	INADJ
IMONOUT	5	6	IMONIN
SWEN2	7	8	SWEN
SHUTDOWN	9	10	SHUTDOWN
MODE	11	12	VAUX
ICTRL2	13	14	ICTRL
GND	15	16	GND
TEMP	17	18	CLKOUT
CLKOUT2	19	20	CLKOUT3
IMONOUT3	21	22	IOW
(80V) VIN	23	24	VOUT (80V)

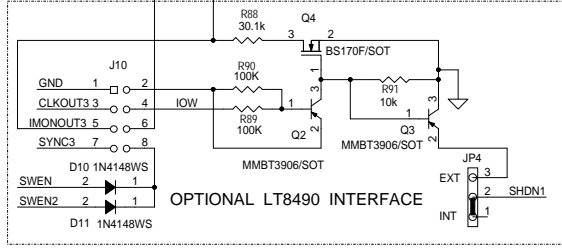
**CUSTOMER NOTICE**  
 LINEAR TECHNOLOGY HAS MADE A BEST EFFORT TO DESIGN A CIRCUIT THAT MEETS CUSTOMER-SUPPLIED SPECIFICATIONS; HOWEVER, IT REMAINS THE CUSTOMER'S RESPONSIBILITY TO VERIFY PROPER AND RELIABLE OPERATION IN THE ACTUAL APPLICATION. COMPONENT SUBSTITUTION AND PRINTED CIRCUIT BOARD LAYOUT MAY SIGNIFICANTLY AFFECT CIRCUIT PERFORMANCE OR RELIABILITY. CONTACT LINEAR TECHNOLOGY APPLICATIONS ENGINEERING FOR ASSISTANCE.

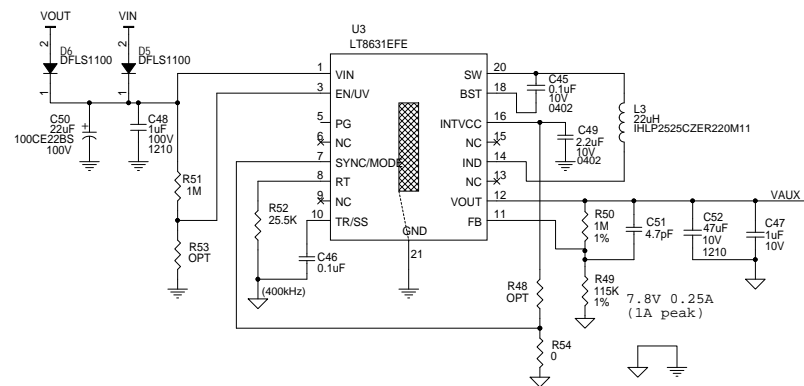
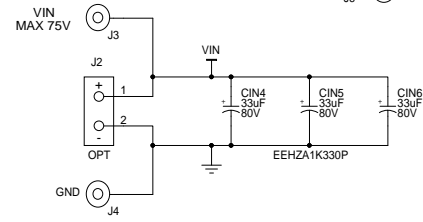
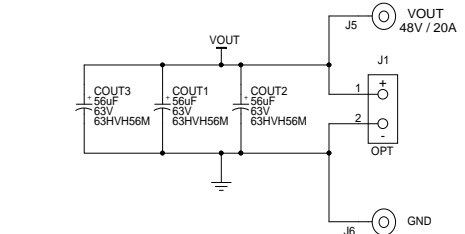
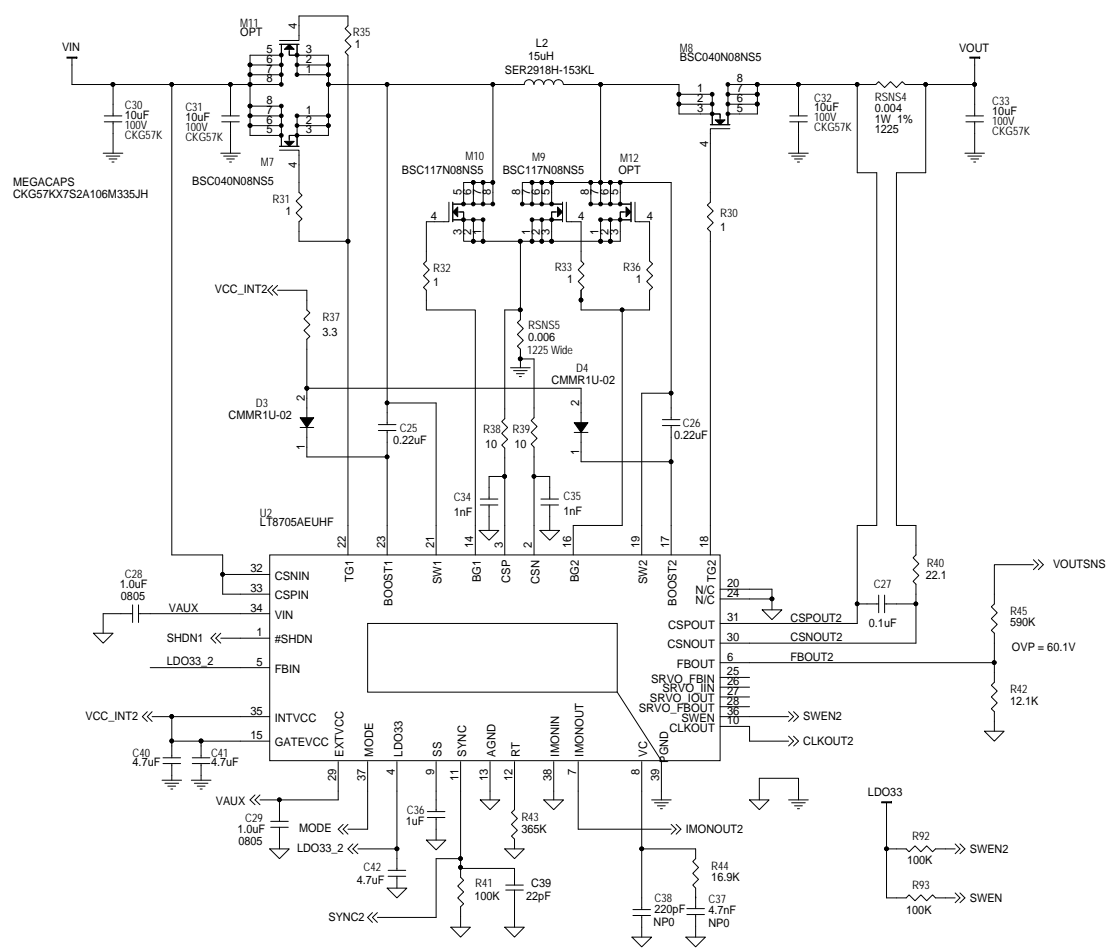
**LINEAR TECHNOLOGY**  
 1630 McCarthy Blvd.  
 Milpitas, CA 95035  
 Phone: (408)432-1900 www.linear.com  
 Fax: (408)434-0807  
 LTC Confidential-For Customer Use Only

**TITLE: SCHEMATIC**

**DUAL LT8705AEUHF DC2285A**

SIZE: N/A IC NO.: LT8705AEUHF DC2285A REV. 3  
 DATE: Monday, July 17, 2017 SHEET 1 OF 2





**CUSTOMER NOTICE**  
 LINEAR TECHNOLOGY HAS MADE A BEST EFFORT TO DESIGN A CIRCUIT THAT MEETS CUSTOMER-SUPPLIED SPECIFICATIONS; HOWEVER, IT REMAINS THE CUSTOMER'S RESPONSIBILITY TO VERIFY PROPER AND RELIABLE OPERATION IN THE ACTUAL APPLICATION. COMPONENT SUBSTITUTION AND PRINTED CIRCUIT BOARD LAYOUT MAY SIGNIFICANTLY AFFECT CIRCUIT PERFORMANCE OR RELIABILITY. CONTACT LINEAR TECHNOLOGY APPLICATIONS ENGINEERING FOR ASSISTANCE.

		1630 McCarthy Blvd. Milpitas, CA 95035 Phone: (408)432-1900 www.linear.com Fax: (408)434-0807 LTC Confidential-For Customer Use Only	
		TITLE: SCHEMATIC DUAL LT8705AEUHF DC2285A	
SIZE N/A	IC NO. LT8705AEUHF DC2285A	DATE: Thursday, June 01, 2017	SHEET 2 OF 2