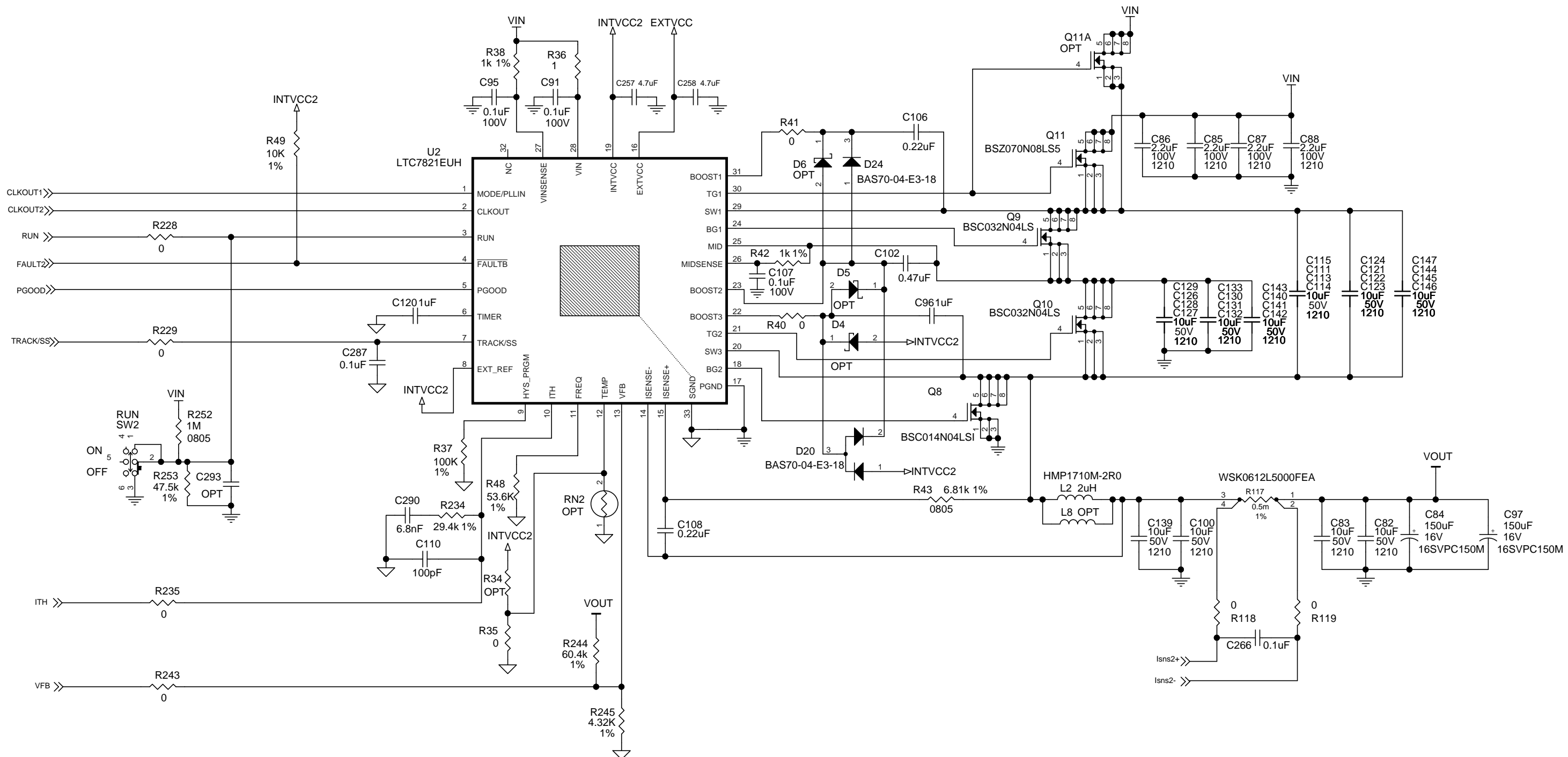
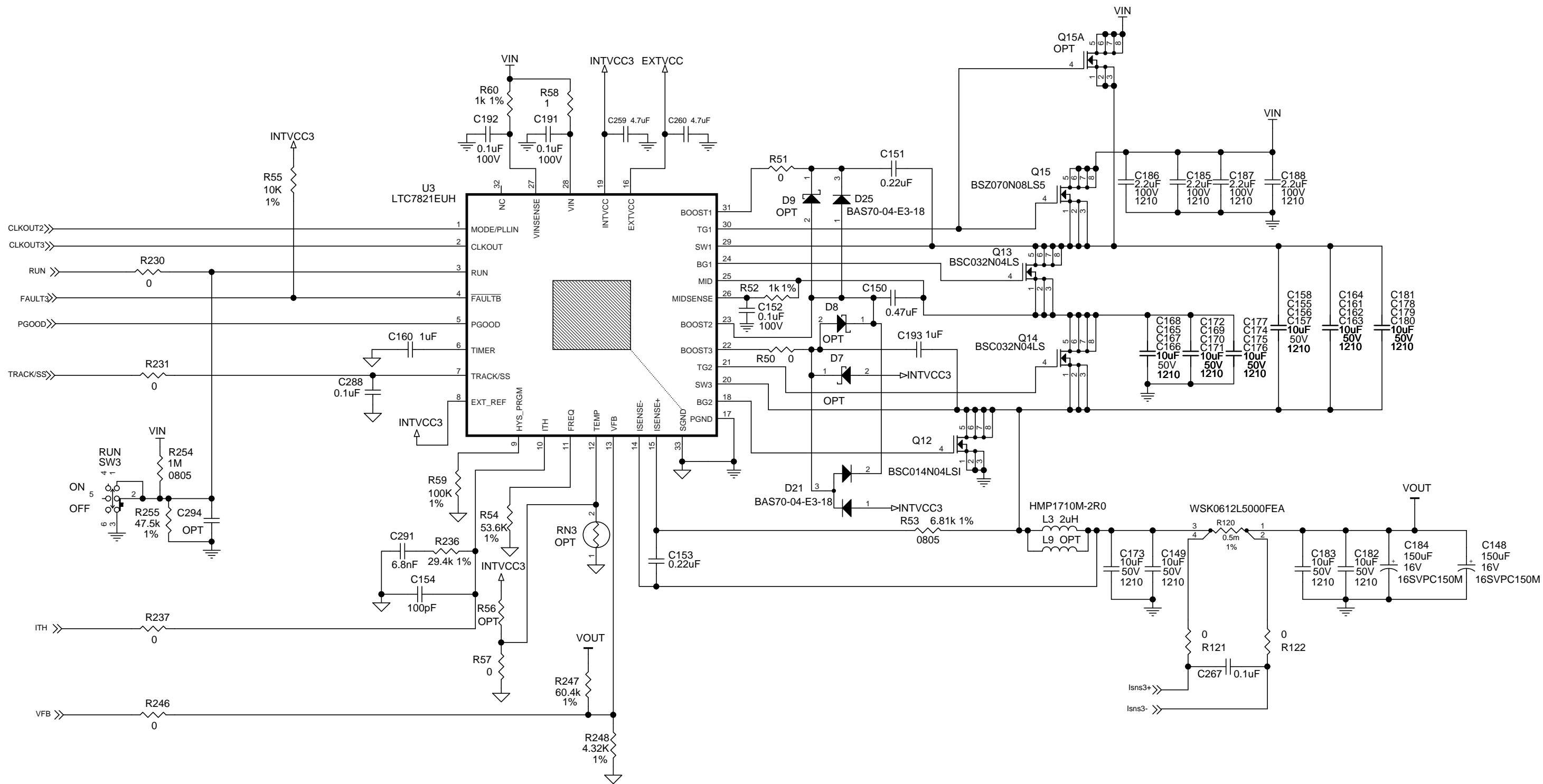



NOTES: UNLESS OTHERWISE SPECIFIED,
 1. CAPACITORS AND RESISTORS ARE 0603.

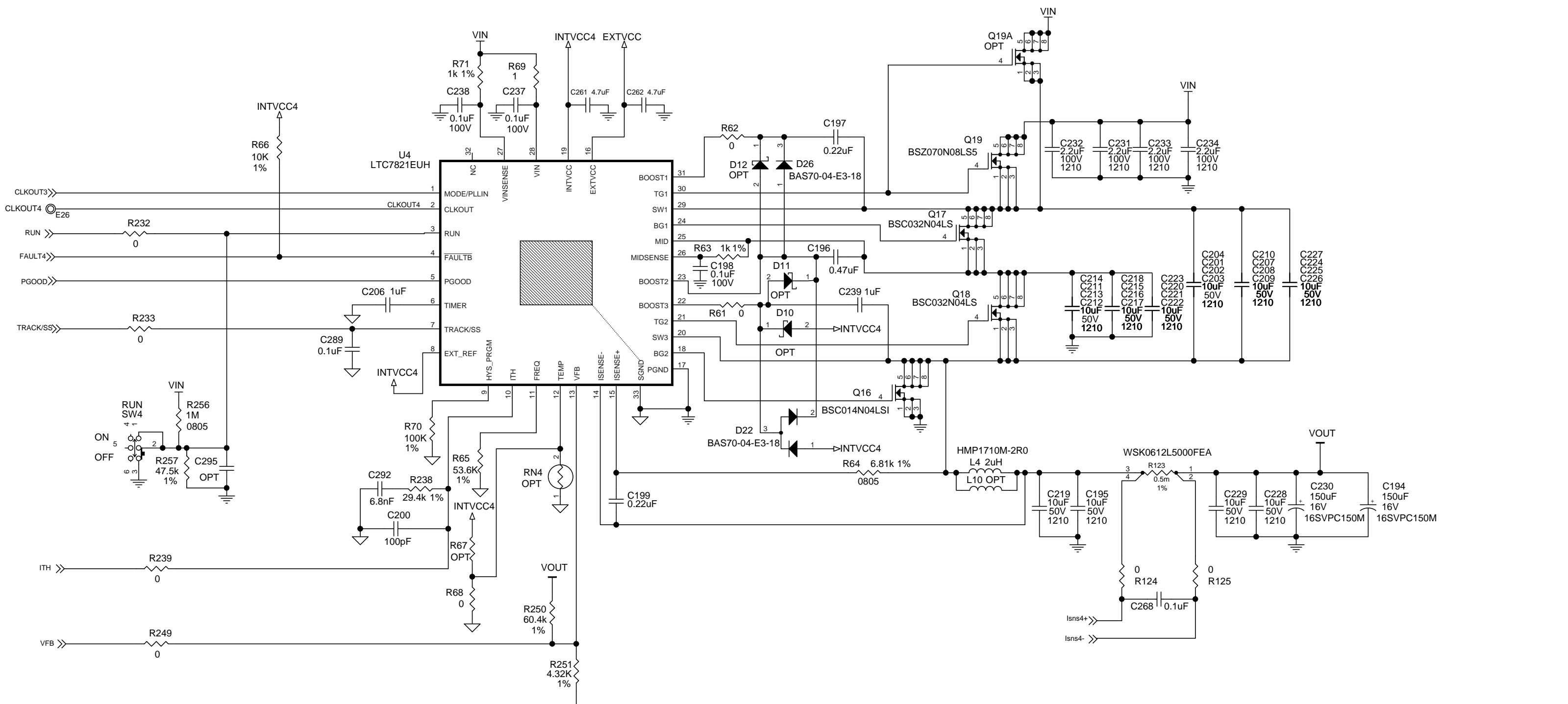
CUSTOMER NOTICE LINEAR TECHNOLOGY HAS MADE A BEST EFFORT TO DESIGN A CIRCUIT THAT MEETS CUSTOMER-SUPPLIED SPECIFICATIONS; HOWEVER, IT REMAINS THE CUSTOMER'S RESPONSIBILITY TO VERIFY PROPER AND RELIABLE OPERATION IN THE ACTUAL APPLICATION. COMPONENT SUBSTITUTION AND PRINTED CIRCUIT BOARD LAYOUT MAY SIGNIFICANTLY AFFECT CIRCUIT PERFORMANCE OR RELIABILITY. CONTACT LINEAR TECHNOLOGY APPLICATIONS ENGINEERING FOR ASSISTANCE.		APPROVALS PCB DES. <i>SL</i> APP ENG. <i>SL</i>			1630 McCarthy Blvd. Milpitas, CA 95035 Phone: (408)432-1900 www.linear.com Fax: (408)434-0507 LTC Confidential-For Customer Use Only		
		IC NO. LTC7821			TITLE: DEMO CIRCUIT SCHEMATIC, GOOGLE REFERENCE DESIGN FOUR-PHASE, SINGLE I/O		
THIS CIRCUIT IS PROPRIETARY TO LINEAR TECHNOLOGY AND SUPPLIED FOR USE WITH LINEAR TECHNOLOGY PARTS.		SKU NO. FT2790A		PCA BOM: 700-FT2790A_REV01 PCA ASS'Y: 705-FT2790A_REV01		SCHEMATIC NO. AND REVISION: 710-FT2790A_REV01	
SIZE: N/A	SCALE: NONE	DATE: Monday, November 20, 2017		SHEET 1 OF 7			



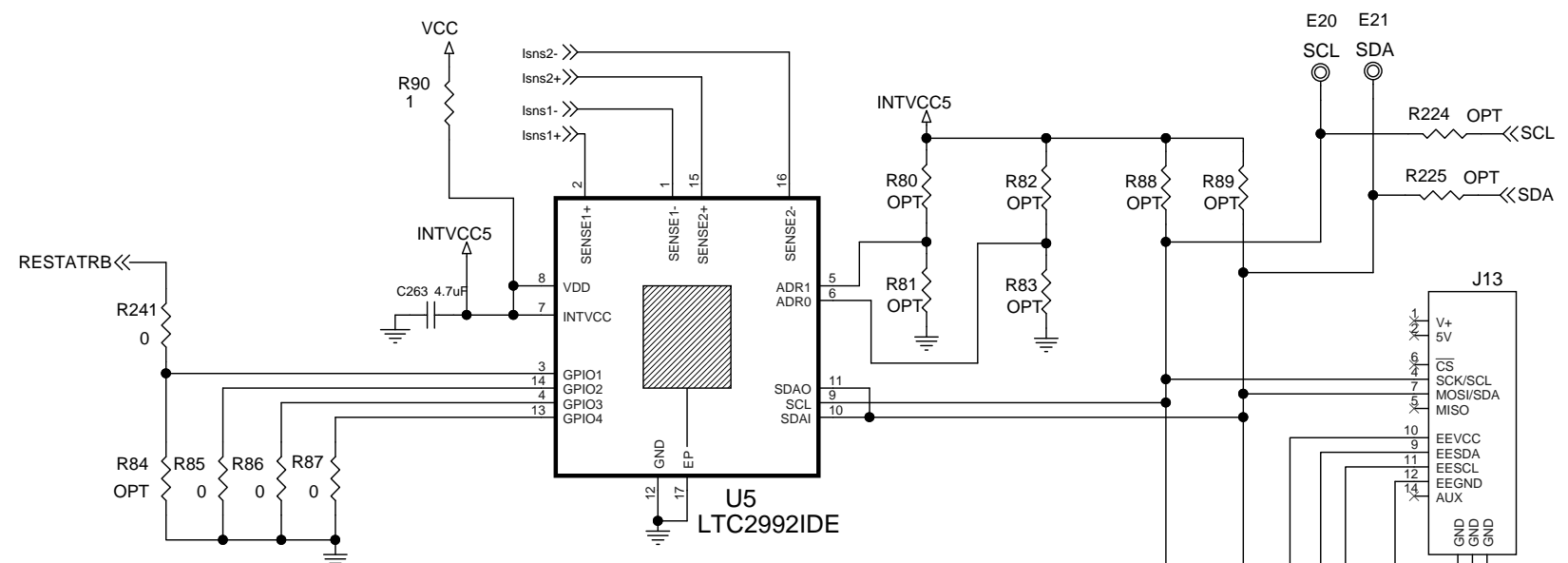
<p>CUSTOMER NOTICE</p> <p>LINEAR TECHNOLOGY HAS MADE A BEST EFFORT TO DESIGN A CIRCUIT THAT MEETS CUSTOMER-SUPPLIED SPECIFICATIONS; HOWEVER, IT REMAINS THE CUSTOMER'S RESPONSIBILITY TO VERIFY PROPER AND RELIABLE OPERATION IN THE ACTUAL APPLICATION. COMPONENT SUBSTITUTION AND PRINTED CIRCUIT BOARD LAYOUT MAY SIGNIFICANTLY AFFECT CIRCUIT PERFORMANCE OR RELIABILITY. CONTACT LINEAR TECHNOLOGY APPLICATIONS ENGINEERING FOR ASSISTANCE.</p>		<p>APPROVALS</p> <p>PCB DES. <i>JS</i></p> <p>APP ENG. <i>SL</i></p>		<p>1630 McCarthy Blvd. Milpitas, CA 95035 Phone: (408)432-1900 www.linear.com Fax: (408)434-0507 LTC Confidential-For Customer Use Only</p>	
		<p>IC NO. LTC7821</p>			<p>TITLE: DEMO CIRCUIT SCHEMATIC, GOOGLE REFERENCE DESIGN FOUR-PHASE, SINGLE I/O</p>
<p>THIS CIRCUIT IS PROPRIETARY TO LINEAR TECHNOLOGY AND SUPPLIED FOR USE WITH LINEAR TECHNOLOGY PARTS.</p>		<p>SKU NO. FT2790A</p>		<p>PCA BOM: 700-FT2790A_REV01 PCA ASS'Y: 705-FT2790A_REV01</p>	
<p>SIZE: N/A</p>		<p>SCALE = NONE</p>		<p>DATE: Monday, November 20, 2017</p>	
				<p>SHEET 2 OF 7</p>	



CUSTOMER NOTICE		APPROVALS			1630 McCarthy Blvd. Milpitas, CA 95035 Phone: (408)432-1900 www.linear.com Fax: (408)434-0507 LTC Confidential-For Customer Use Only	
LINEAR TECHNOLOGY HAS MADE A BEST EFFORT TO DESIGN A CIRCUIT THAT MEETS CUSTOMER-SUPPLIED SPECIFICATIONS; HOWEVER, IT REMAINS THE CUSTOMER'S RESPONSIBILITY TO VERIFY PROPER AND RELIABLE OPERATION IN THE ACTUAL APPLICATION. COMPONENT SUBSTITUTION AND PRINTED CIRCUIT BOARD LAYOUT MAY SIGNIFICANTLY AFFECT CIRCUIT PERFORMANCE OR RELIABILITY. CONTACT LINEAR TECHNOLOGY APPLICATIONS ENGINEERING FOR ASSISTANCE.		PCB DES.	<i>JS</i>		IC NO. LTC7821	TITLE: DEMO CIRCUIT SCHEMATIC, GOOGLE REFERENCE DESIGN FOUR-PHASE, SINGLE I/O
THIS CIRCUIT IS PROPRIETARY TO LINEAR TECHNOLOGY AND SUPPLIED FOR USE WITH LINEAR TECHNOLOGY PARTS.		APP ENG.	<i>JS</i>	SKU NO. FT2790A		PCA BOM: 700-FT2790A_REV01 PCA ASS'Y: 705-FT2790A_REV01
SIZE:	N/A	SCALE:	NONE	DATE:	Monday, November 20, 2017	
				SHEET	3 OF 7	

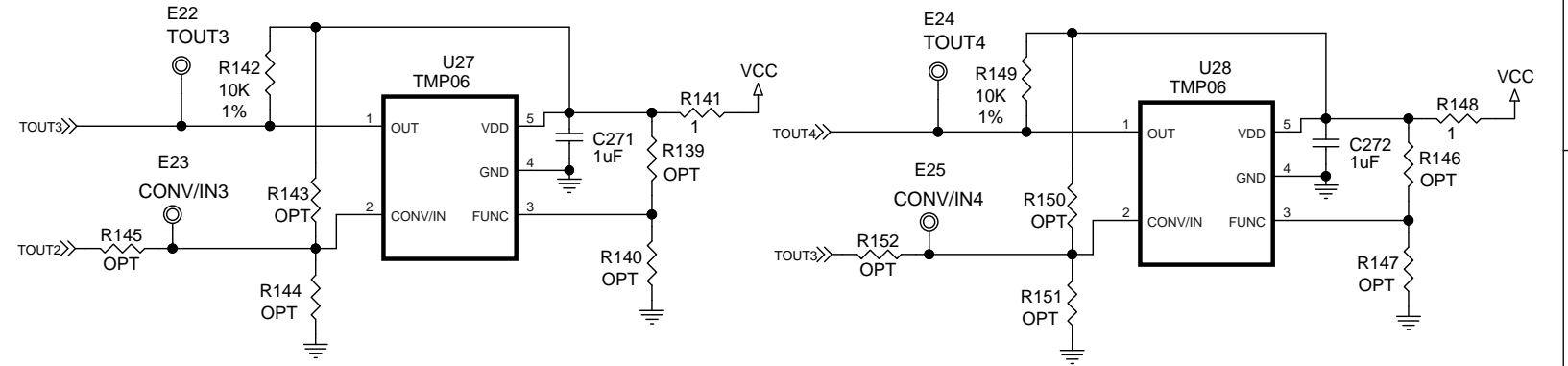
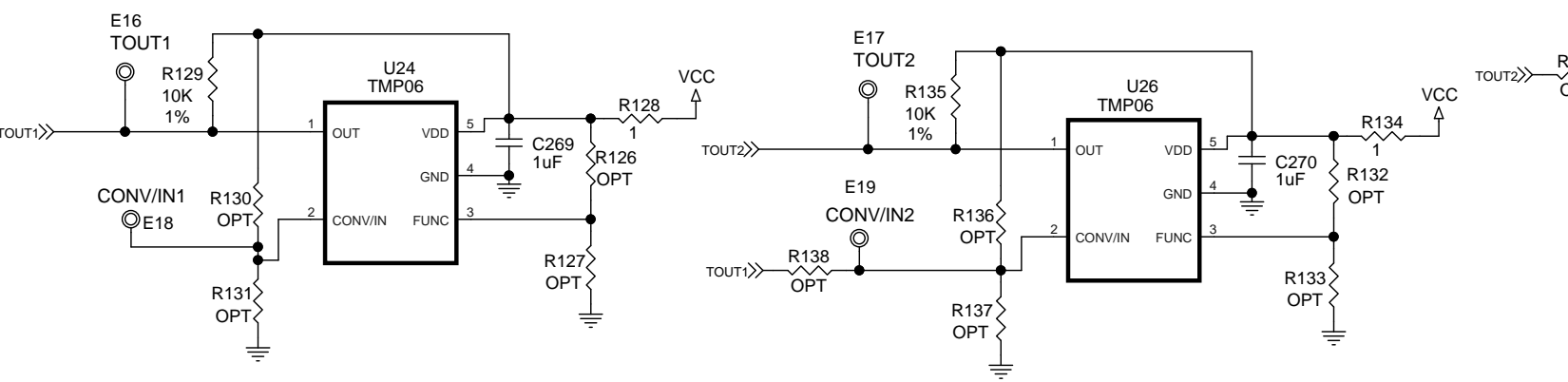
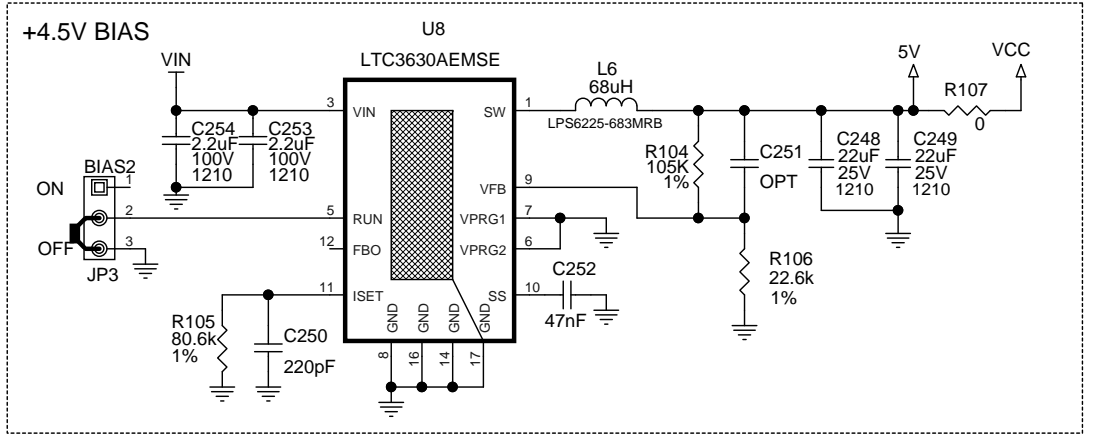
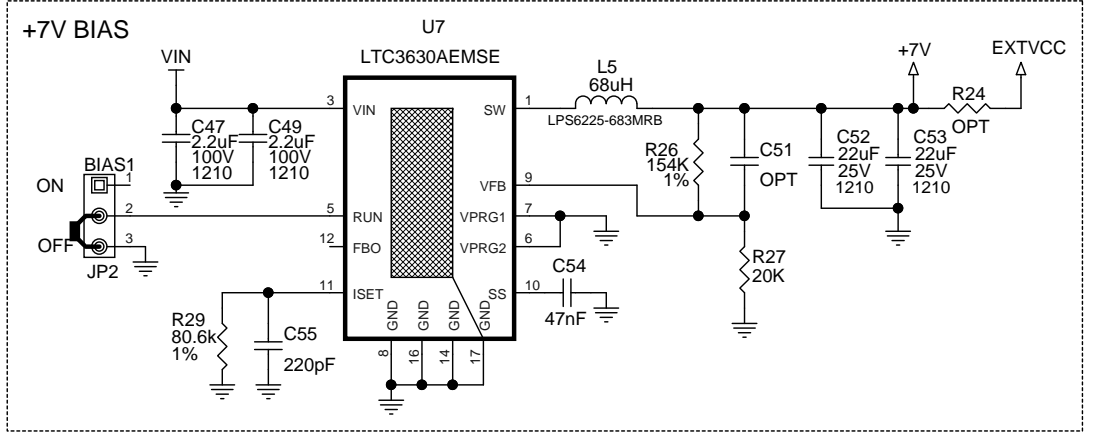
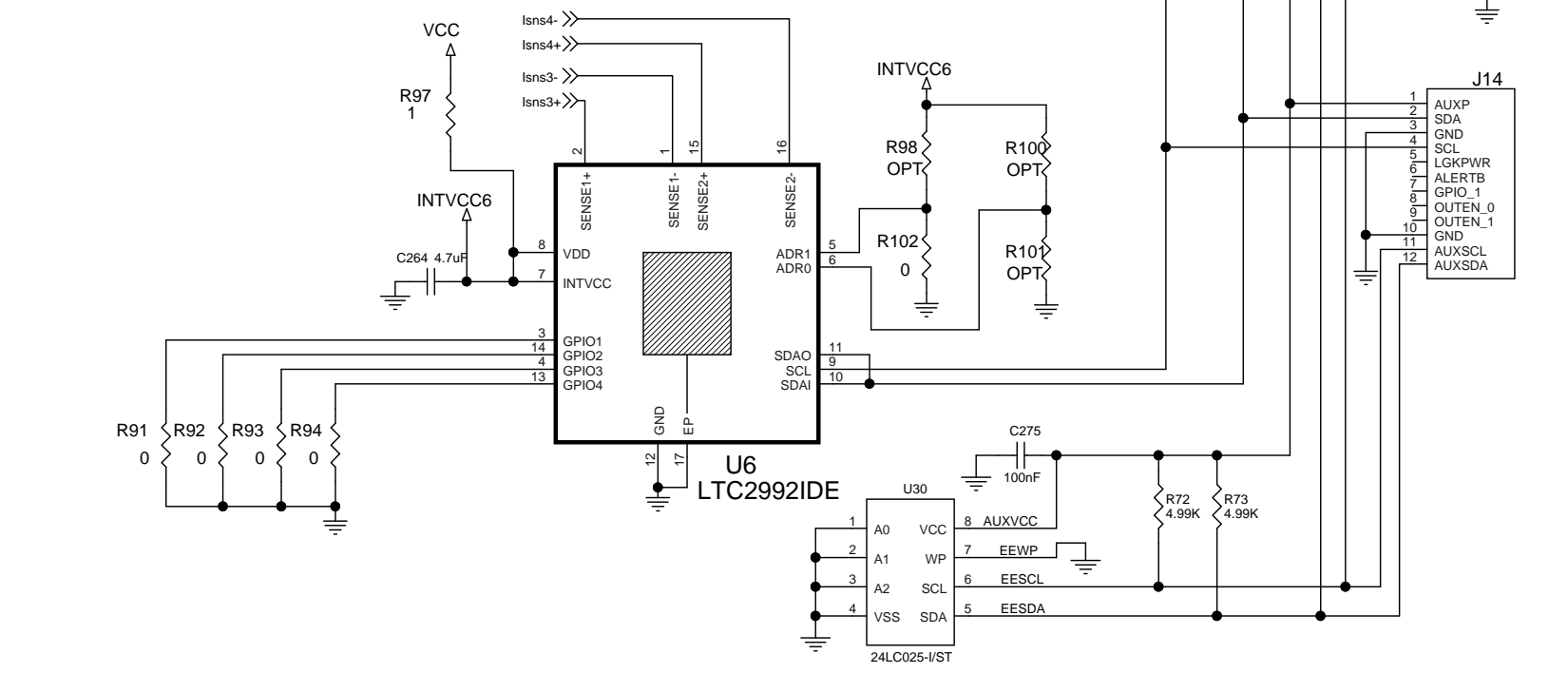
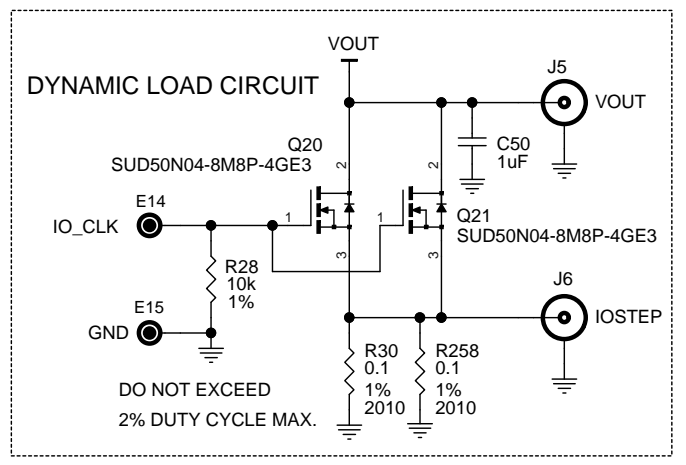


CUSTOMER NOTICE LINEAR TECHNOLOGY HAS MADE A BEST EFFORT TO DESIGN A CIRCUIT THAT MEETS CUSTOMER-SUPPLIED SPECIFICATIONS; HOWEVER, IT REMAINS THE CUSTOMER'S RESPONSIBILITY TO VERIFY PROPER AND RELIABLE OPERATION IN THE ACTUAL APPLICATION. COMPONENT SUBSTITUTION AND PRINTED CIRCUIT BOARD LAYOUT MAY SIGNIFICANTLY AFFECT CIRCUIT PERFORMANCE OR RELIABILITY. CONTACT LINEAR TECHNOLOGY APPLICATIONS ENGINEERING FOR ASSISTANCE.		APPROVALS PCB DES. <i>JS</i> APP ENG. <i>SL</i>		1630 McCarthy Blvd. Milpitas, CA 95035 Phone: (408)432-1900 www.linear.com Fax: (408)434-0507 LTC Confidential-For Customer Use Only	
		IC NO. LTC7821			TITLE: DEMO CIRCUIT SCHEMATIC, GOOGLE REFERENCE DESIGN FOUR-PHASE, SINGLE I/O
THIS CIRCUIT IS PROPRIETARY TO LINEAR TECHNOLOGY AND SUPPLIED FOR USE WITH LINEAR TECHNOLOGY PARTS.		SKU NO. FT2790A		PCA BOM: 700-FT2790A_REV01 PCA ASS'Y: 705-FT2790A_REV01	
SIZE: N/A		SCALE = NONE		DATE: Monday, November 20, 2017	
SHEET 4 OF 7		SCHEMATIC NO. AND REVISION: 710-FT2790A_REV01		SHEET 4 OF 7	



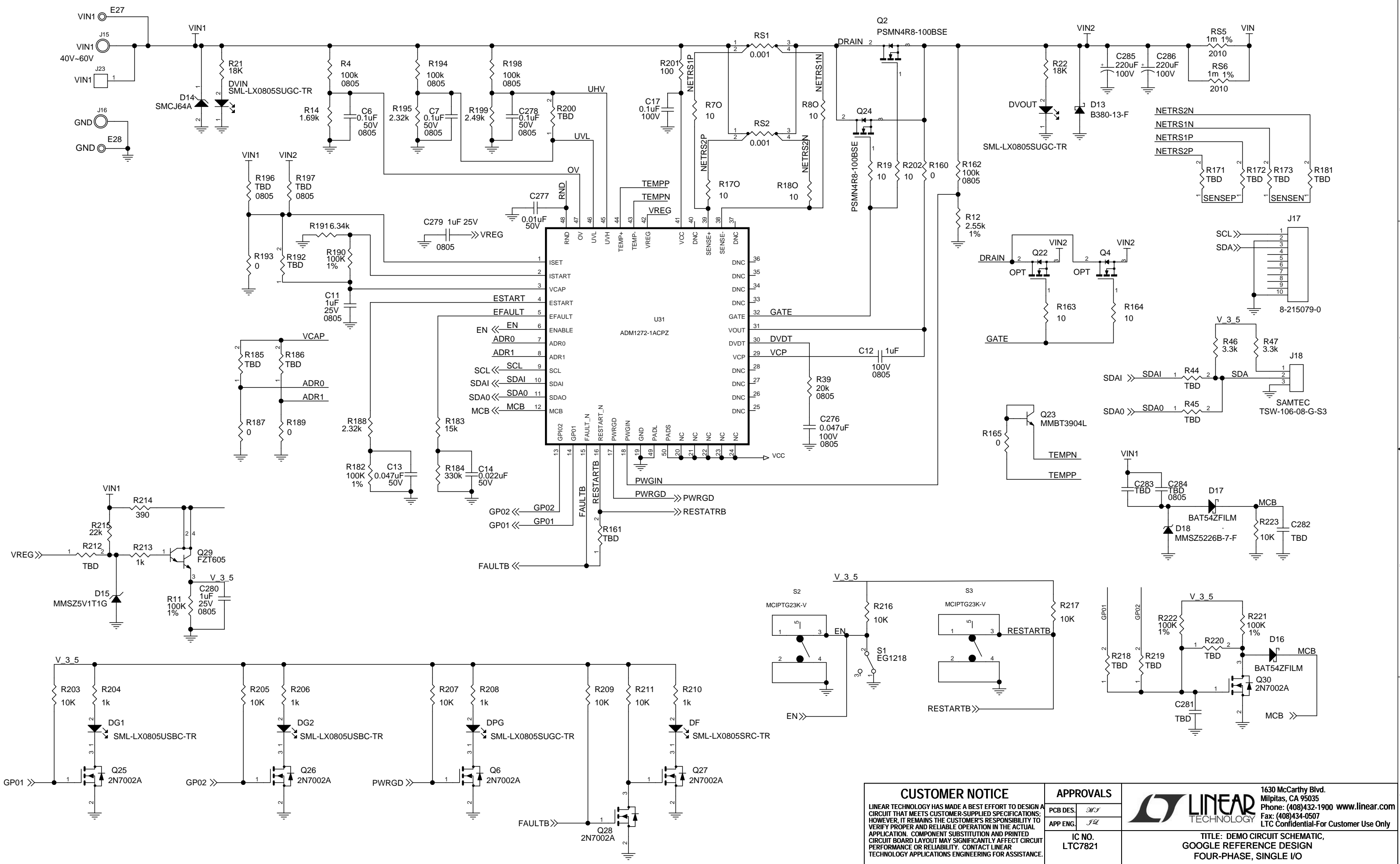
ADR0	ADR1	ADDRESS
HIGH	LOW	CE
FLOAT	HIGH	D0
HIGH	HIGH	D2
FLOAT	FLOAT	D4
FLOAT	LOW	D6
LOW	HIGH	D8
HIGH	FLOAT	DA
LOW	FLOAT	DC
LOW	LOW	DE*

* DEFAULT

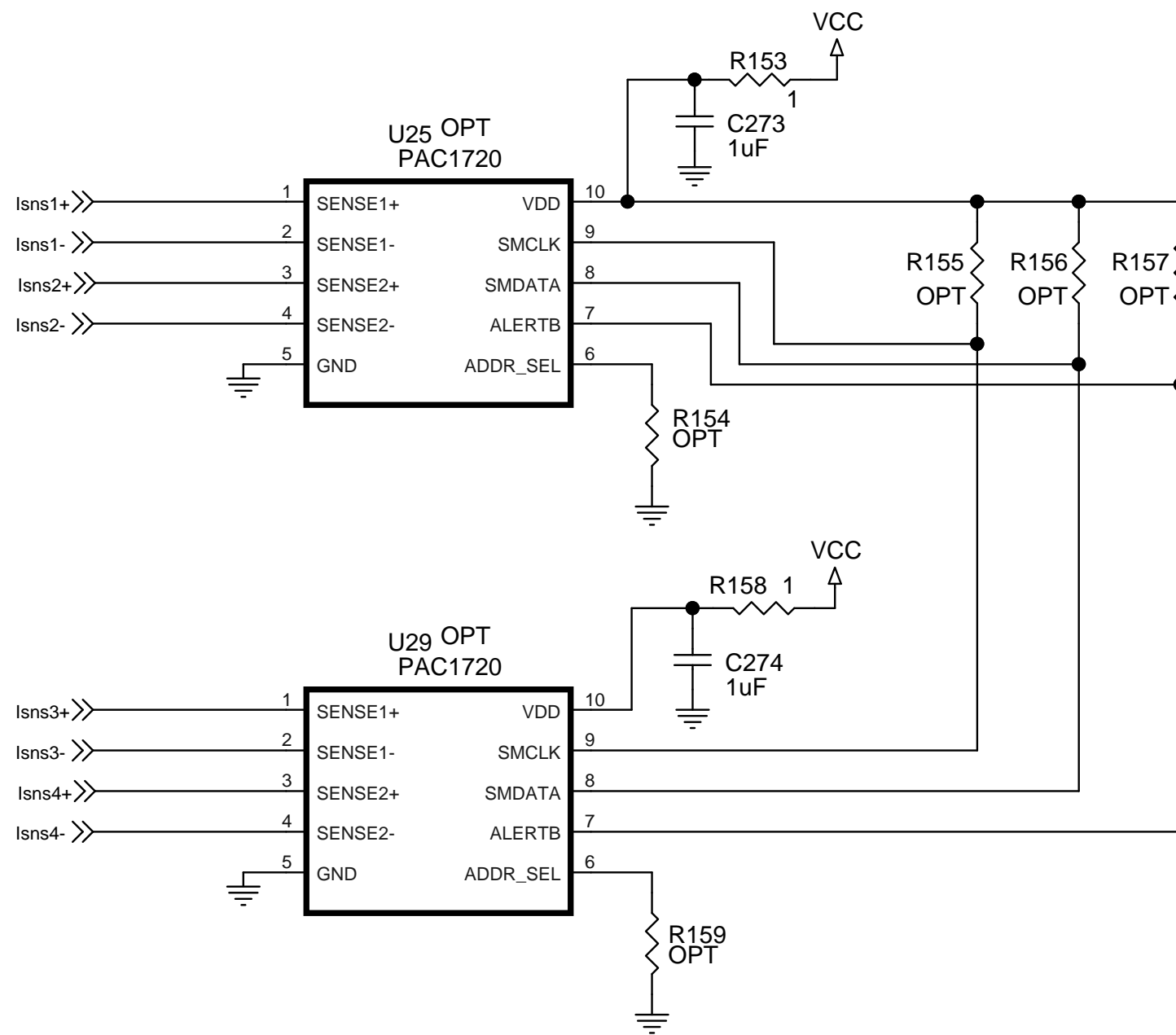


CUSTOMER NOTICE
 LINEAR TECHNOLOGY HAS MADE A BEST EFFORT TO DESIGN A CIRCUIT THAT MEETS CUSTOMER-SUPPLIED SPECIFICATIONS; HOWEVER, IT REMAINS THE CUSTOMER'S RESPONSIBILITY TO VERIFY PROPER AND RELIABLE OPERATION IN THE ACTUAL APPLICATION. COMPONENT SUBSTITUTION AND PRINTED CIRCUIT BOARD LAYOUT MAY SIGNIFICANTLY AFFECT CIRCUIT PERFORMANCE OR RELIABILITY. CONTACT LINEAR TECHNOLOGY APPLICATIONS ENGINEERING FOR ASSISTANCE.

APPROVALS			1630 McCarthy Blvd. Milpitas, CA 95035 Phone: (408)432-1900 www.linear.com Fax: (408)434-0507 LTC Confidential-For Customer Use Only
PCB DES.	SMC		
APP ENG.	JFL		
IC NO. LTC7821	TITLE: DEMO CIRCUIT SCHEMATIC, GOOGLE REFERENCE DESIGN FOUR-PHASE, SINGLE I/O		
SKU NO. FT2790A	PCA BOM: 700-FT2790A_REV01	SCHEMATIC NO. AND REVISION: 710-FT2790A_REV01	
THIS CIRCUIT IS PROPRIETARY TO LINEAR TECHNOLOGY AND SUPPLIED FOR USE WITH LINEAR TECHNOLOGY PARTS.		SIZE: N/A	SCALE = NONE
		DATE: Monday, November 20, 2017	SHEET 5 OF 7



CUSTOMER NOTICE LINEAR TECHNOLOGY HAS MADE A BEST EFFORT TO DESIGN A CIRCUIT THAT MEETS CUSTOMER-SUPPLIED SPECIFICATIONS; HOWEVER, IT REMAINS THE CUSTOMER'S RESPONSIBILITY TO VERIFY PROPER AND RELIABLE OPERATION IN THE ACTUAL APPLICATION. COMPONENT SUBSTITUTION AND PRINTED CIRCUIT BOARD LAYOUT MAY SIGNIFICANTLY AFFECT CIRCUIT PERFORMANCE OR RELIABILITY. CONTACT LINEAR TECHNOLOGY APPLICATIONS ENGINEERING FOR ASSISTANCE.		APPROVALS PCB DES. <i>SMC</i> APP ENG. <i>JFL</i>			1630 McCarthy Blvd. Milpitas, CA 95035 Phone: (408)432-1900 www.linear.com Fax: (408)434-0507 LTC Confidential-For Customer Use Only	
THIS CIRCUIT IS PROPRIETARY TO LINEAR TECHNOLOGY AND SUPPLIED FOR USE WITH LINEAR TECHNOLOGY PARTS.		IC NO. LTC7821			TITLE: DEMO CIRCUIT SCHEMATIC, GOOGLE REFERENCE DESIGN FOUR-PHASE, SINGLE I/O	
SKU NO. FT2790A		PCB BOM: 700-FT2790A_REV01 PCA ASS'Y: 705-FT2790A_REV01		SCHEMATIC NO. AND REVISION: 710-FT2790A_REV01		
SIZE: N/A		SCALE: NONE		DATE: Monday, November 20, 2017		
				SHEET 6 OF 7		



CUSTOMER NOTICE

LINEAR TECHNOLOGY HAS MADE A BEST EFFORT TO DESIGN A CIRCUIT THAT MEETS CUSTOMER-SUPPLIED SPECIFICATIONS; HOWEVER, IT REMAINS THE CUSTOMER'S RESPONSIBILITY TO VERIFY PROPER AND RELIABLE OPERATION IN THE ACTUAL APPLICATION. COMPONENT SUBSTITUTION AND PRINTED CIRCUIT BOARD LAYOUT MAY SIGNIFICANTLY AFFECT CIRCUIT PERFORMANCE OR RELIABILITY. CONTACT LINEAR TECHNOLOGY APPLICATIONS ENGINEERING FOR ASSISTANCE.

THIS CIRCUIT IS PROPRIETARY TO LINEAR TECHNOLOGY AND SUPPLIED FOR USE WITH LINEAR TECHNOLOGY PARTS.

APPROVALS

PCB DES. *MS*
APP ENG. *JL*



1630 McCarthy Blvd.
Milpitas, CA 95035
Phone: (408)432-1900 www.linear.com
Fax: (408)434-0507
LTC Confidential-For Customer Use Only

IC NO.
LTC7821

TITLE: DEMO CIRCUIT SCHEMATIC,
GOOGLE REFERENCE DESIGN
FOUR-PHASE, SINGLE I/O

SKU NO.
FT2790A

PCA BOM: 700-FT2790A_REV01
PCA ASS'Y: 705-FT2790A_REV01

SCHEMATIC NO. AND REVISION:
710-FT2790A_REV01

SIZE: N/A

SCALE = NONE

DATE: Thursday, November 16, 2017

SHEET 7 OF 7