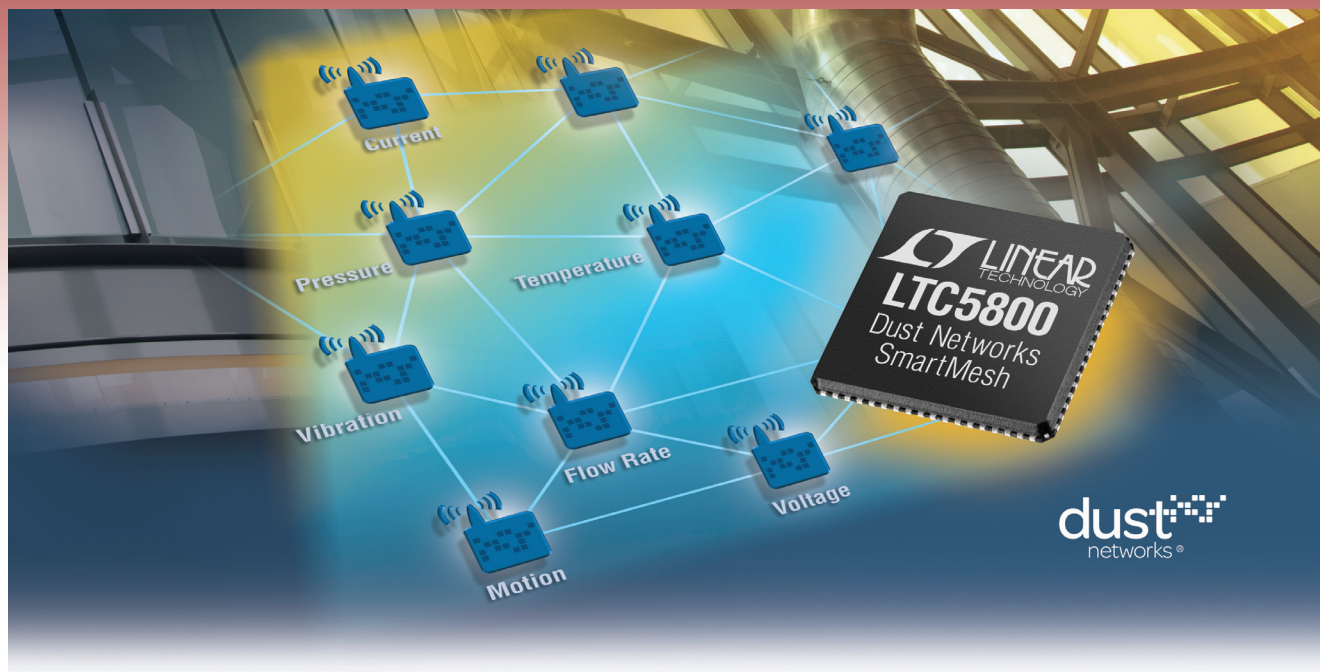


# Wireless Mesh Network. Wired Reliability.



dust  
networks®

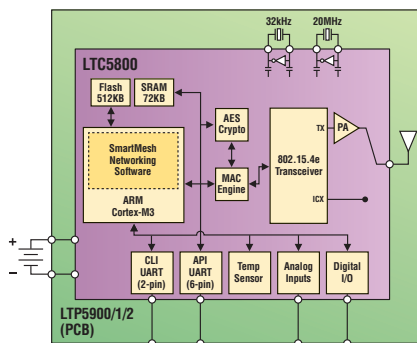
## Every Node Can Run on Batteries for >10 Years at >99.999% Reliability

The Dust Networks LTC®5800 and LTP®5900 product families from Linear Technology are embedded wireless sensor networks (WSN) that deliver unmatched ultralow power operation and superior reliability. This ensures flexibility in placing sensors exactly where needed, with low cost “peel and stick” installations. The highly integrated SmartMesh® LTC5800 (system-on-chip) and LTP5900 (PCB module) families are the industry’s lowest power IEEE 802.15.4e compliant wireless sensor networking products.

### ▼ Features

- Routing Nodes Consume <50µA Average Current
- >99.999% Reliability Even in the Most Challenging RF Environments
- Complete Wireless Mesh Solution – No Network Stack Development Required
- Network Management and NIST-Certified Security Capabilities
- Two Standards-Compliant Families: SmartMesh IP (6LoWPAN) and SmartMesh WirelessHART (IEC62591)

### Highly Integrated LTC5800 and LTP5900 Families



### ▼ Info & Starter Kits

[www.linear.com/dust](http://www.linear.com/dust)

1-800-4-LINEAR

Experience  
SmartMesh  
Networks

[www.linear.com/starterkits](http://www.linear.com/starterkits)

LT, LT, LTC, LTM, LTP, Linear Technology, the Linear logo, the Dust Networks logo and SmartMesh are registered trademarks of Linear Technology Corporation. All other trademarks are the property of their respective owners.

 **LINEAR**  
TECHNOLOGY