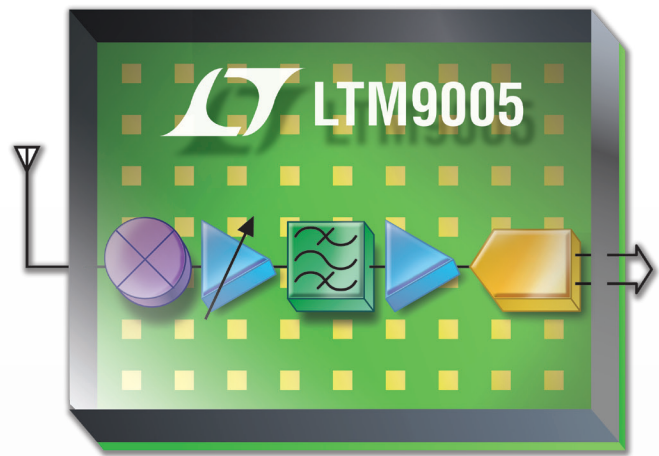


RF-to-Digital μ Module Receivers



Direct Conversion



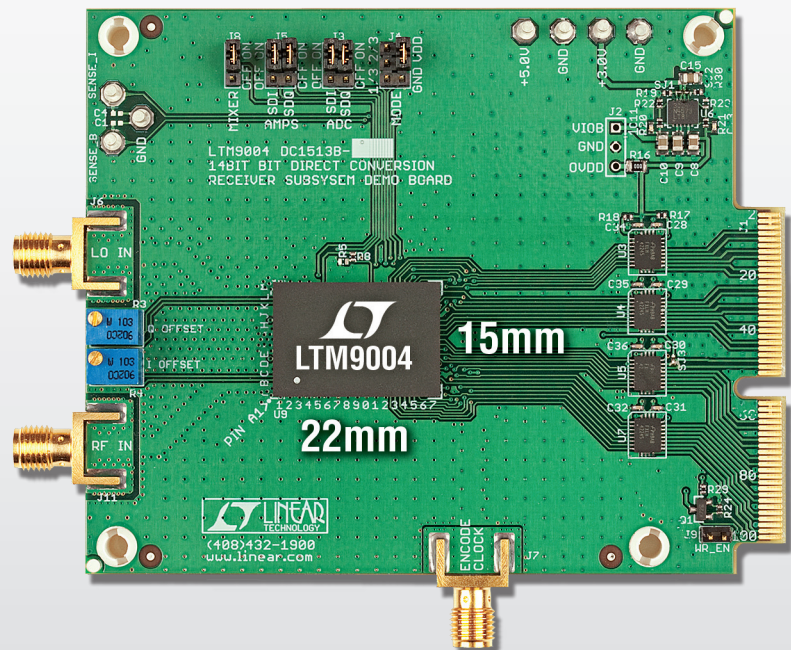
IF Sampling

The LTM[®]9004 (Direct Conversion) and LTM9005 (IF Sampling) μ Module[®] receivers offer unprecedented integration for more compact, low power designs and dramatically faster time-to-market. Integrating the RF, signal filtering, gain stages and high-speed ADCs, these receivers eliminate time-consuming design, layout and component sourcing associated with high performance communication systems. With no performance compromise, they enable dense, multichannel macrocells or compact remote radio heads.

LTM9004 Demo Board

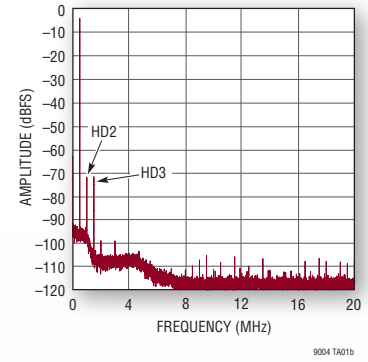
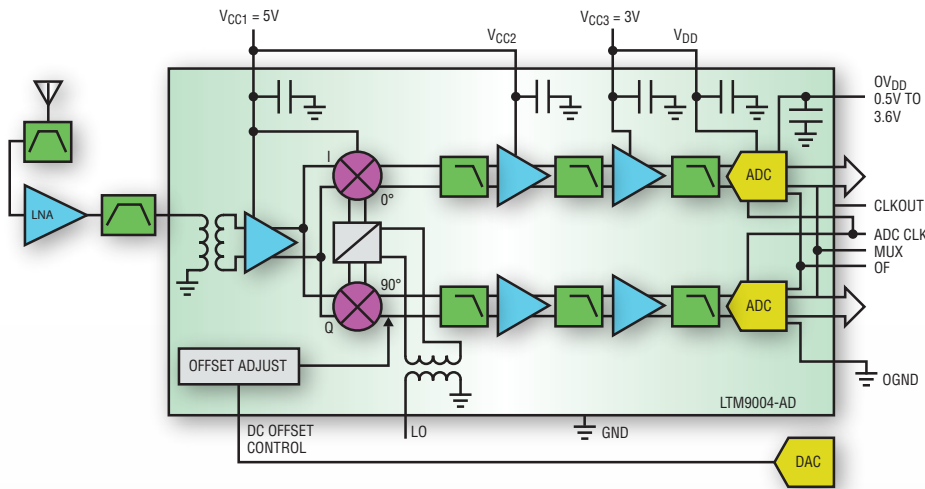
Features

- Fully Integrated RF-to-Digital Receivers
- 14-Bit, 125MSPS Low Power ADC
- Direct Conversion Architecture (LTM9004)
 - 700MHz to 2.7GHz RF Input Range
 - I/Q Demodulation & Dual ADC
 - 5V & 3V Supplies, 1.8W Total
- IF-Sampling Architecture (LTM9005)
 - 400MHz to 3.8GHz RF Input Range
 - 20MHz SAW Filter, 140MHz IF
 - 3.3V Supply, 1.3W Total
- 22mm x 15mm LGA Package



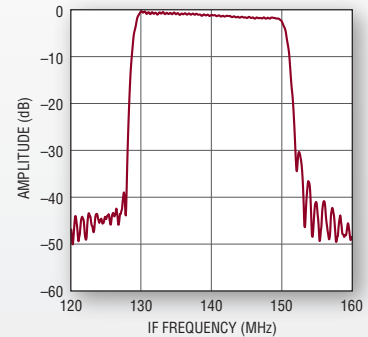
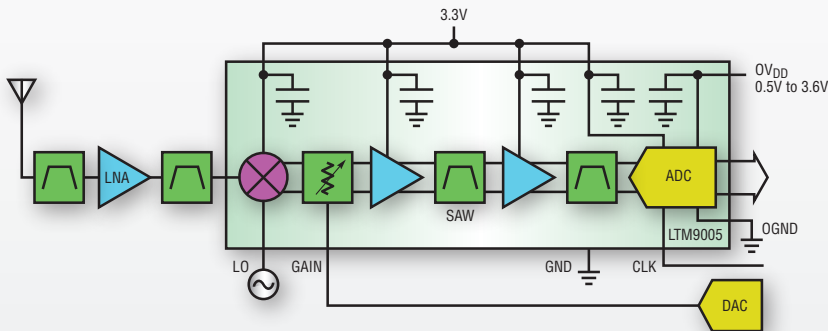
LT, LT, LTC, LTM, μ Module, Linear Technology and the Linear logo are registered trademarks of Linear Technology Corporation. All other trademarks are the property of their respective owners.

LTM9004 Block Diagram and Performance



OPTION	FILTER CUTOFF	SIGNAL BANDWIDTH
LTM9004-AA	1.92MHz	3.84MHz (1-Carrier WCDMA)
LTM9004-AB	4.42MHz	8.84MHz (2-Carrier WCDMA)
LTM9004-AC	9.42MHz	18.84MHz (4-Carrier WCDMA)
LTM9004-AD	20MHz	40MHz

LTM9005 Block Diagram and Performance



OPTION	FILTER CENTER	SIGNAL BANDWIDTH
LTM9005-AA	140MHz	16MHz
LTM9005-AB	140MHz	20MHz

μModule Receiver Features

- Ease of Use, Faster Time-to-Market
- Eliminates Most Challenges of Driving High Speed ADCs
- Integrates Key Components
- Simplifies Layout without Sacrificing Performance
- Provides System-Level Testing
- Dramatically Smaller and Simpler than Discrete Implementations
- Proven LTC Quality, Reliability and Service
- ECCN 5A991 - No Export License Required

Semi-Custom Options

The LTM9004 and LTM9005 are available in semi-custom options, subject to business approval. Changes are limited to filter configurations and the ADC speed and resolution where pin-compatible alternatives are available. Contact Linear Technology for details.