

BOTTOM VIEW OF NOTCH AREA

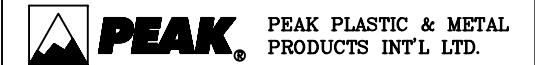
NOTES :

1. MATERIAL - PP13.
2. ALL DIMENSIONS ARE IN MILLIMETERS.
3. TOLERANCES - X.X=±0.25  
- X.XX=±0.13  
UNLESS OTHERWISE SPECIFIED.  
THE DRAFT ANGLES FOR REFERENCE.
4. ESD - SURFACE RESISTIVITY  
- 10<sup>5</sup> TO 10<sup>11</sup> OHMS/SQ.
5. FOR PACKAGE - 1.4MM THICKNESS.
6. PART NO. : ND 0707 1.4 1025 13 REV.A  
(PLEASE INDICATE ON PURCHASE ORDER).
7. DATECODE AT TRAY BOTTOM SIDE.

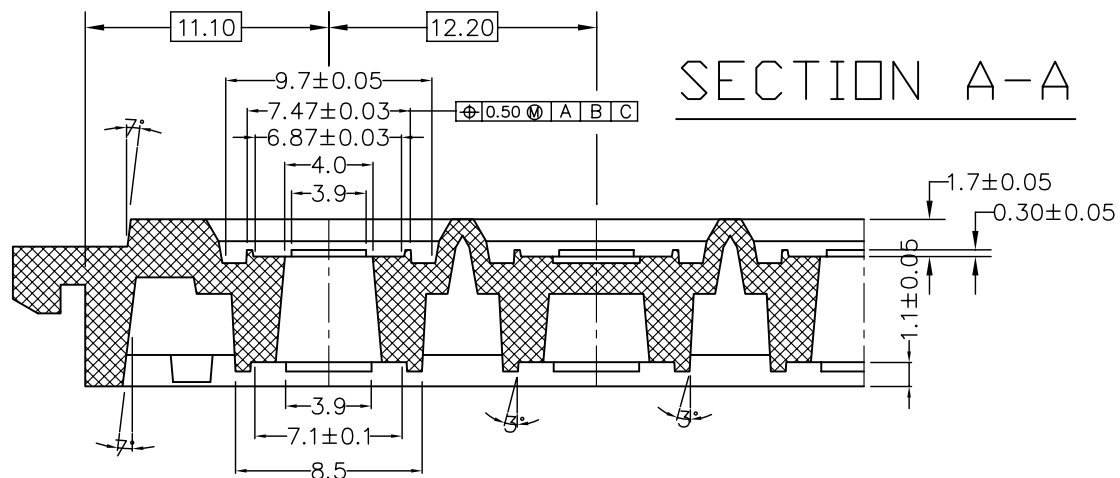
19	P-01662	REMOVE THE HYPHEN "-" ON THE TAB OF TRAYS	19 SEP 06
18	P-01593	REMOVE RECYCLE WITH SEMICYCLE ON THE SIDE OF TRAY	07 JUL 06
17	P-01346	ADD FOUR BRIDGES AT NOTCH AREA	03 JAN 05
16	P-00953	CHANGE FROM TOFF TO QFP	10 AUG 99
15	P-00901	CHANGE SURFACE RESISTIVITY	1 FEB 99
14	P-00764	ADD RUNNER GATE LOCATION	17 SEP 98
REV.NO.	ECN #	DESCRIPTION	DATE

THIS DOCUMENT CONTAINS INFORMATION PROPRIETARY TO PEAK PLASTIC & METAL PRODUCTS INTERNATIONAL LIMITED. REPRODUCTION, DISCLOSURE OR USE OF THIS DOCUMENT IS EXPRESSLY PROHIBITED EXCEPT IF OTHERWISE AGREED UPON IN WRITING.

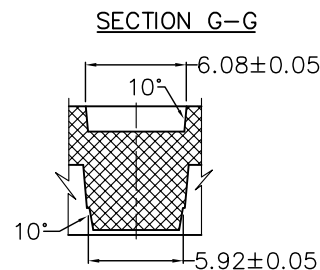
DRAWN BY :	WANG	PAGE 1 OF 2
CHECKED BY :	BUSH	DATE : 19 SEP 06
APPROVED BY :	DALTON	DATE : 19 SEP 06
APPROVED BY :	DAVY	DATE : 19 SEP 06
APPROVED BY :	EDEN	CODE : CSA11864



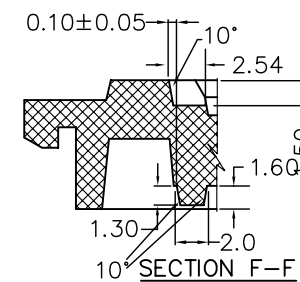
CUSTOMER :	PEAK	
TITLE :	ND 0707 1.4 1025 13 REV.A	
DWG NO.:	ND 0707 1.4 1025 13 REV.A	REV. 19



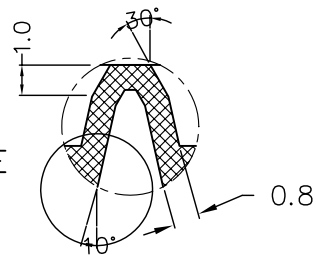
SECTION A-A



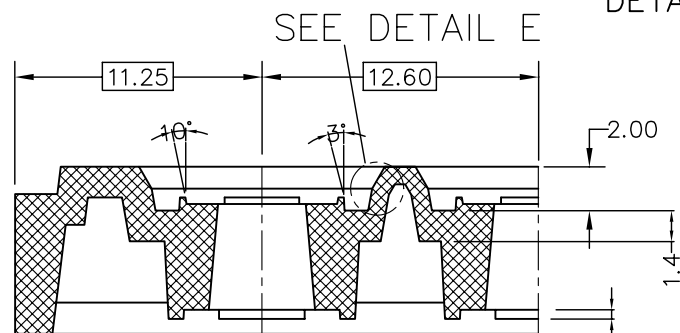
SECTION G-G



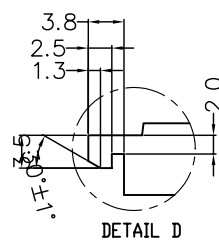
SECTION F-F



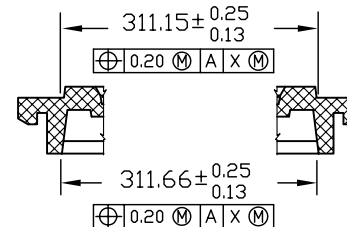
DETAIL E



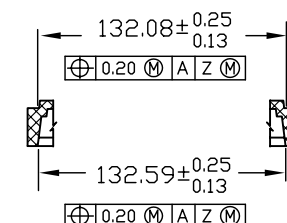
SECTION B-B



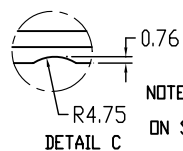
DETAIL D



SECTION H-H



SECTION J-J



DETAIL C

NOTE: SCALLOP IS CENTERED ON SIDE OF TRAY



PEAK PLASTIC & METAL PRODUCTS INT'L LTD.

19	P-01662	REMOVE THE HYPHEN™ ON THE TAB OF TRAYS	19 SEP 06
18	P-01593	REMOVE RECYCLE WITH SEMICYCLE ON THE SIDE OF TRAY	07 JUL 06
17	P-01346	ADD FOUR BRIDGES AT NOTCH AREA	03 JAN 05
16	P-00953	CHANGE FROM TQFP TO QFP	10 AUG 99
15	P-00901	CHANGE SURFACE RESISTIVITY	1 FEB 99
14	P-00764	ADD RUNNER GATE LOCATION	17 SEP 98
REV.NO.	ECN #	DESCRIPTION	DATE

THIS DOCUMENT CONTAINS INFORMATION PROPRIETARY TO PEAK PLASTIC & METAL PRODUCTS INTERNATIONAL LIMITED. REPRODUCTION, DISCLOSURE OR USE OF THIS DOCUMENT IS EXPRESSLY PROHIBITED EXCEPT IF OTHERWISE AGREED UPON IN WRITING.

DRAWN BY :	WANG	PAGE 2 OF 2
CHECKED BY :	BUSH	DATE : 19 SEP 06
APPROVED BY :	DALTON	DATE : 19 SEP 06
APPROVED BY :	DAVY	DATE : 19 SEP 06
APPROVED BY :	EDEN	CODE : CSA11864

CUSTOMER :	PEAK
TITLE :	ND 0707 1.4 1025 13 REV.A
DWG NO.:	ND 0707 1.4 1025 13 REV.A
REV. 19	